

eurotech

LUXURY SHOWER DOORS

WINDSOR

TWINGLIDE FRAMELESS DUAL SLIDING SHOWER DOOR



Eurotech Showers

23532 Commerce Center Dr
Building B
Laguna Hills, CA 92653
949-716-4099
eurotechshowers.com

SUPER EASY INSTALL

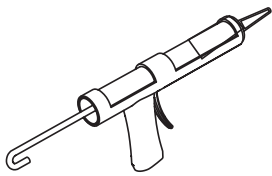


eurotech
LUXURY SHOWER DOORS

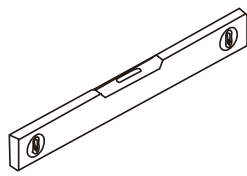


HARDWARE PRE-CUT TO FIT 56-1/2" TO 59" WIDE OPENINGS

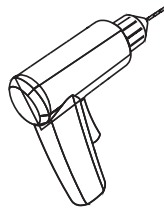
Tools Required



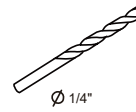
Silicone



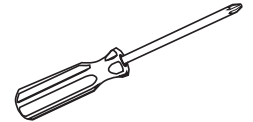
Level



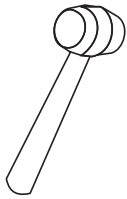
Drill



Masonry Bit



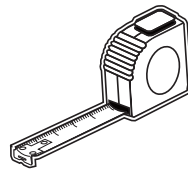
Screwdriver
(Phillips)



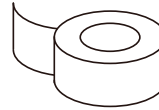
Mallet



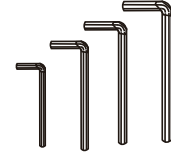
Pencil



Tape Measurer



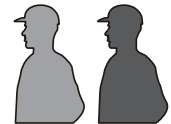
Painters
Tape



Allen Wrenches
(included)

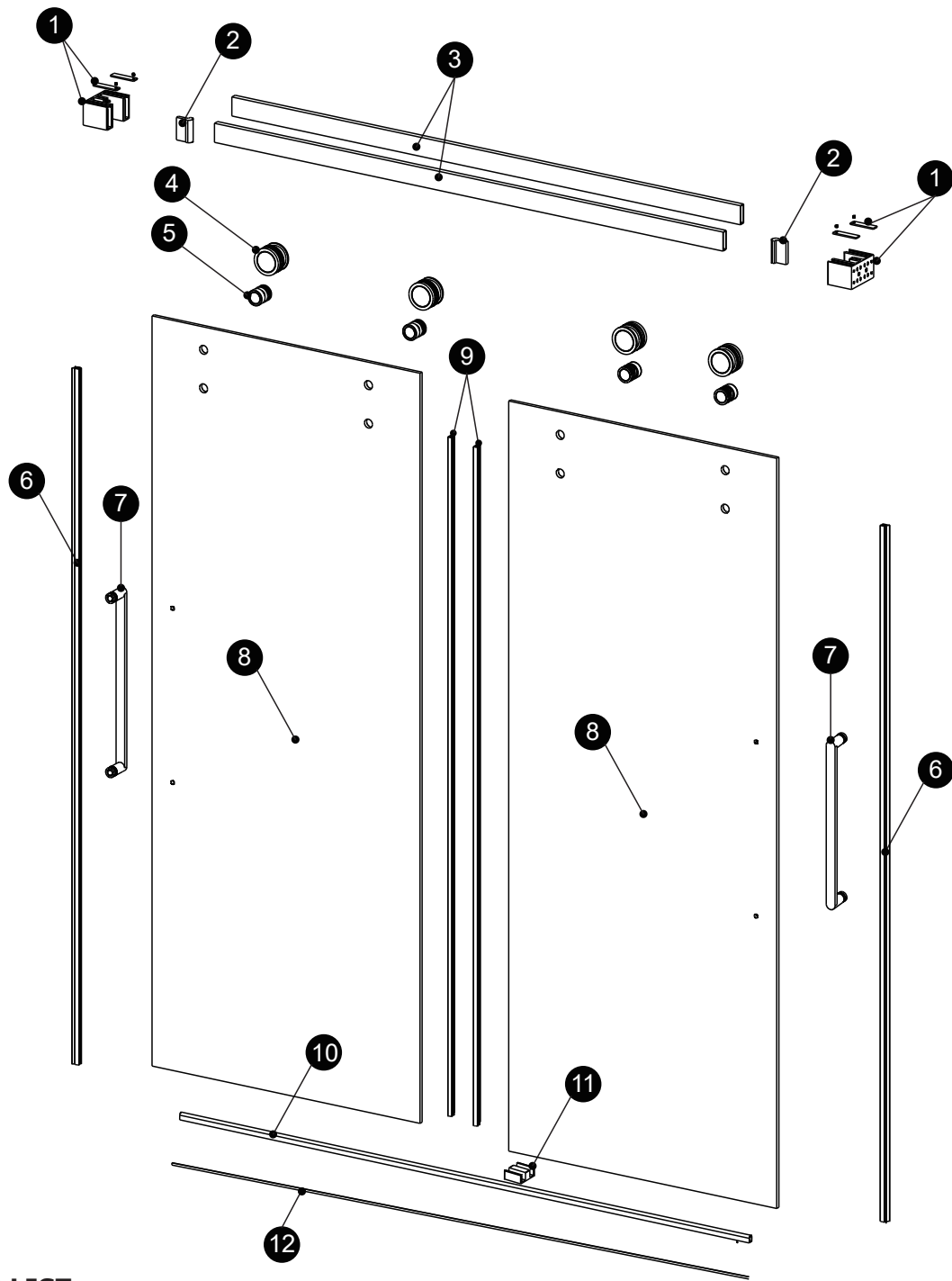


This product is heavy and may require two people to install.



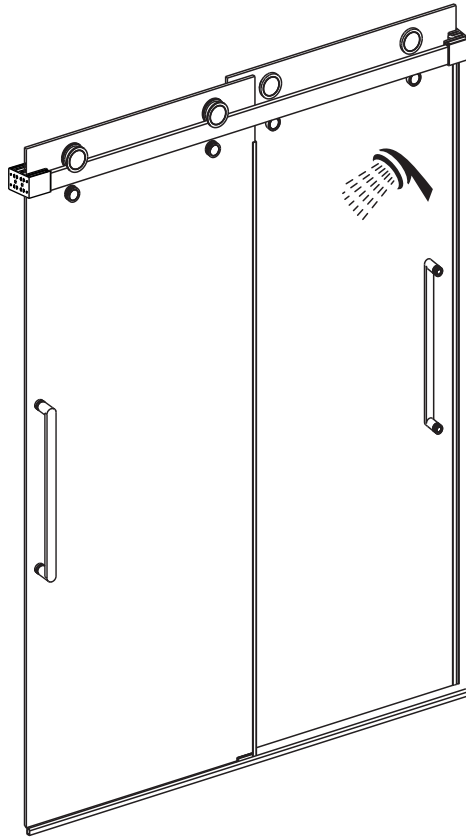
Congratulations on your purchase of your Eurotech Shower door, making your shower dreams come to life.

◆ Assembly Drawing

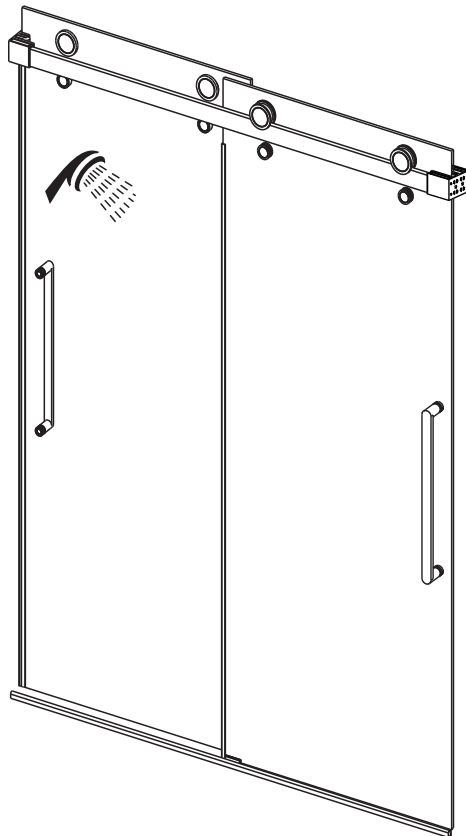


PACKING LIST

PART #	DESCRIPTION	Q'TY	PART #	DESCRIPTION	Q'TY
1	Wall Bracket	2pcs	7	Handle	2pcs
2	Safety Bumper	2pcs	8	Door Panel	2pcs
3	Track	2pcs	9	F Seal	2pcs
4	Roller	4pcs	10	Aluminium Water Guard	1pc
5	Anti-Lift Pins	4pcs	11	Glass Guide	1pc
6	V Seal	2pcs	12	L Seal	1pc



Configuration 1

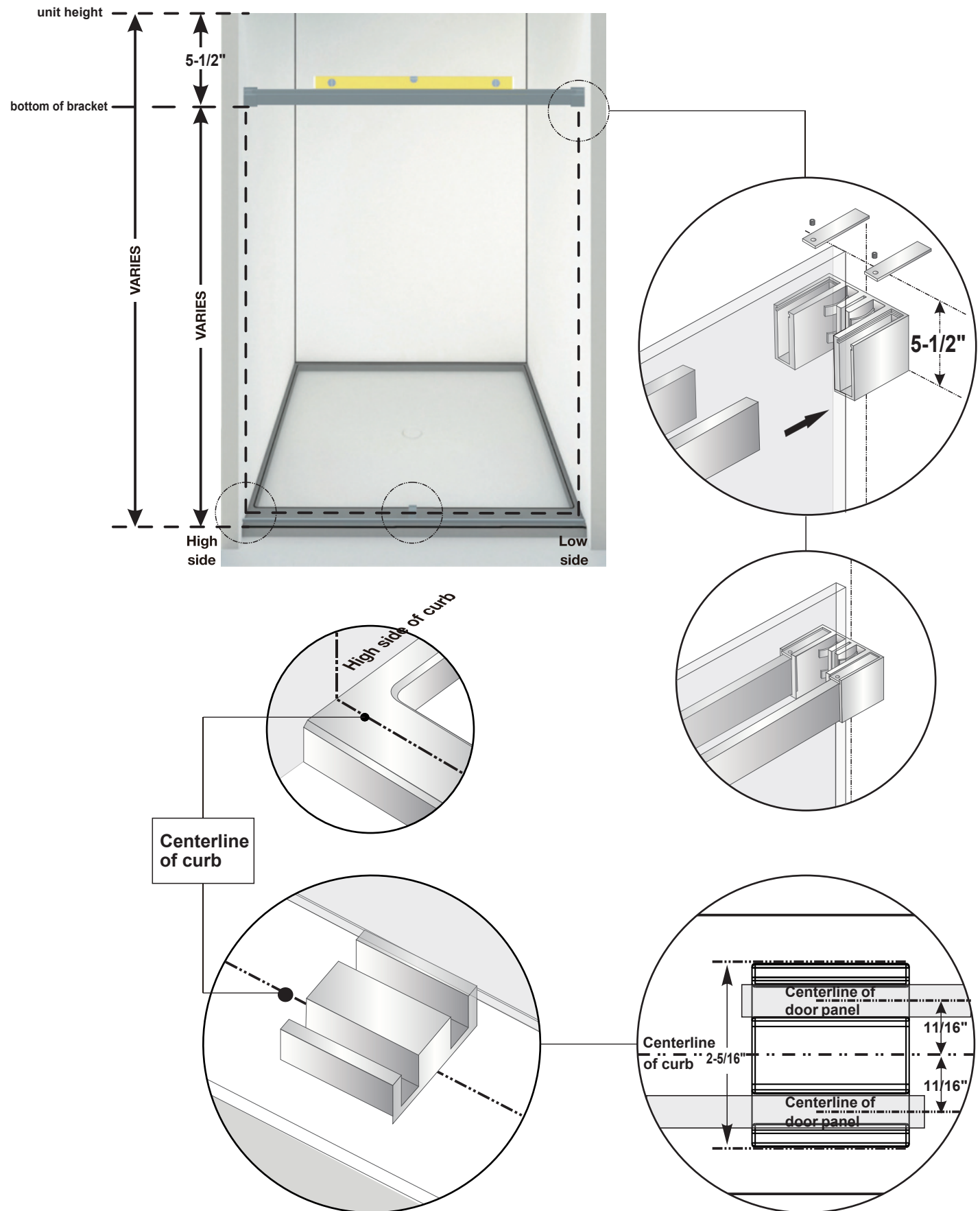


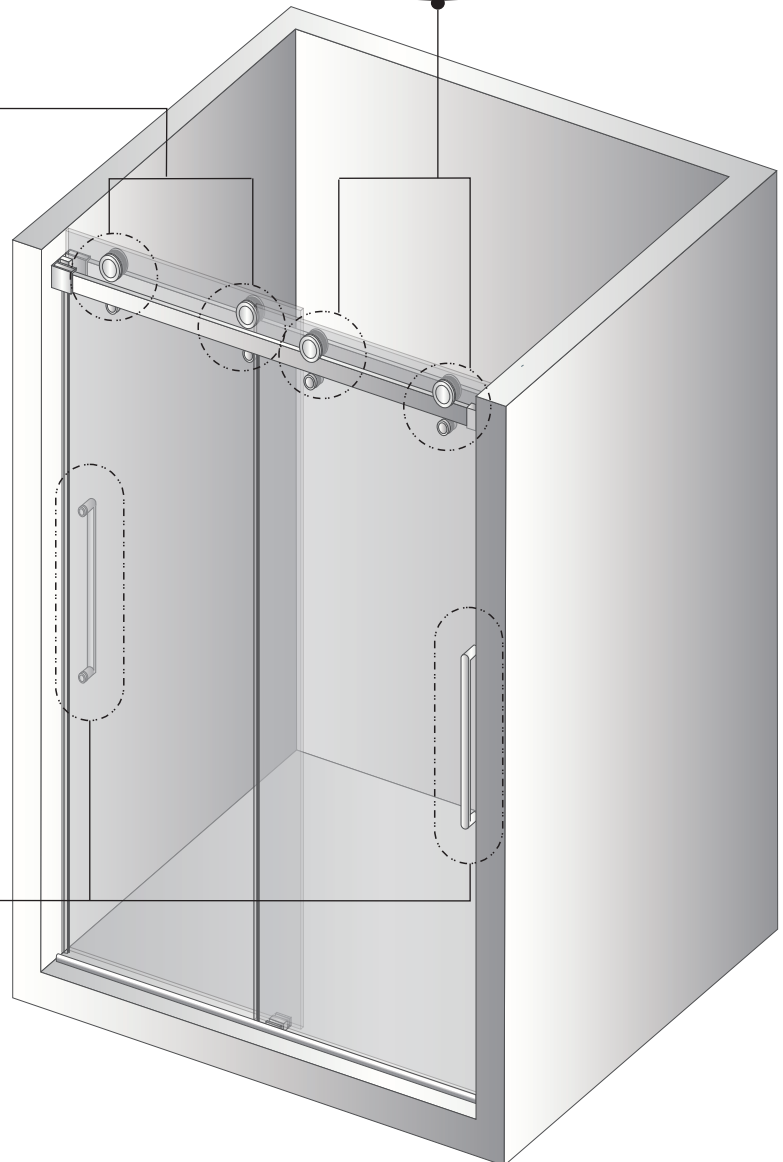
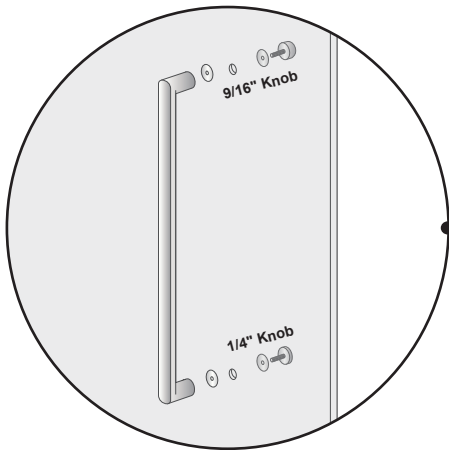
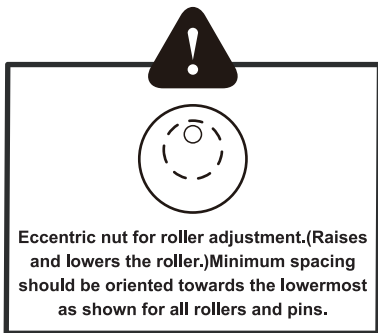
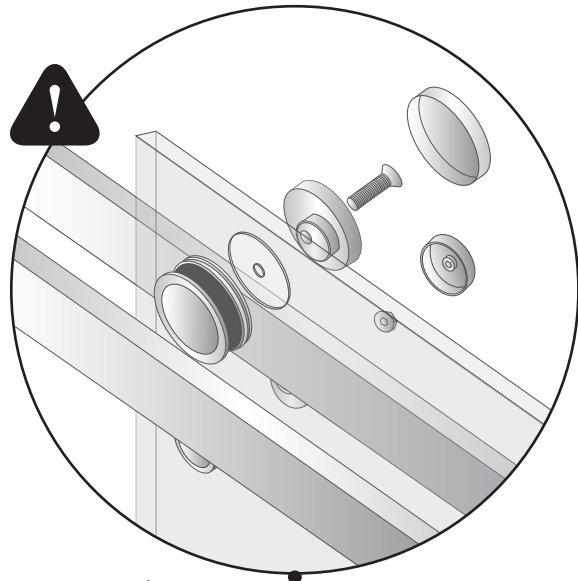
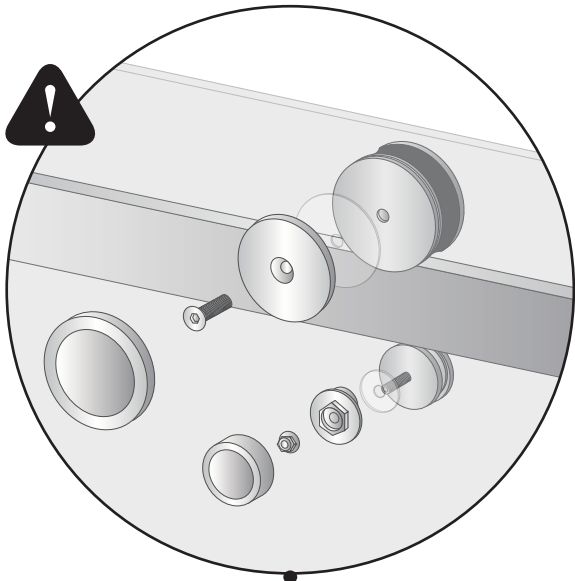
Configuration 2



(This Configurations is illustrated in this Manual)

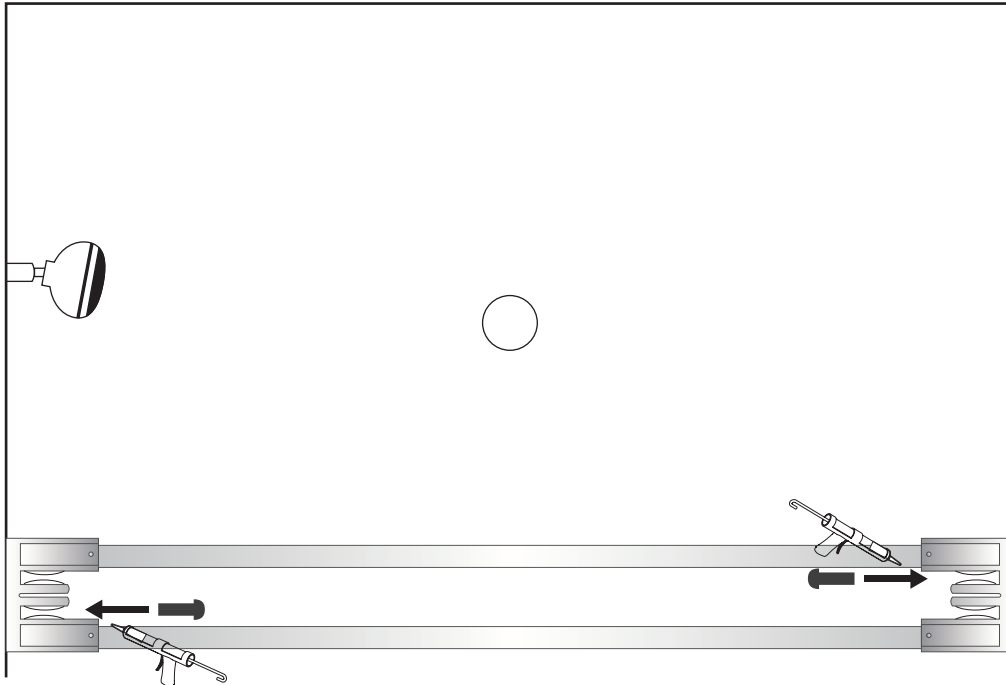
Bar Installation: Mount wall bracket on **high side** first.
Level bar to mark opposite wall for second wall bracket.



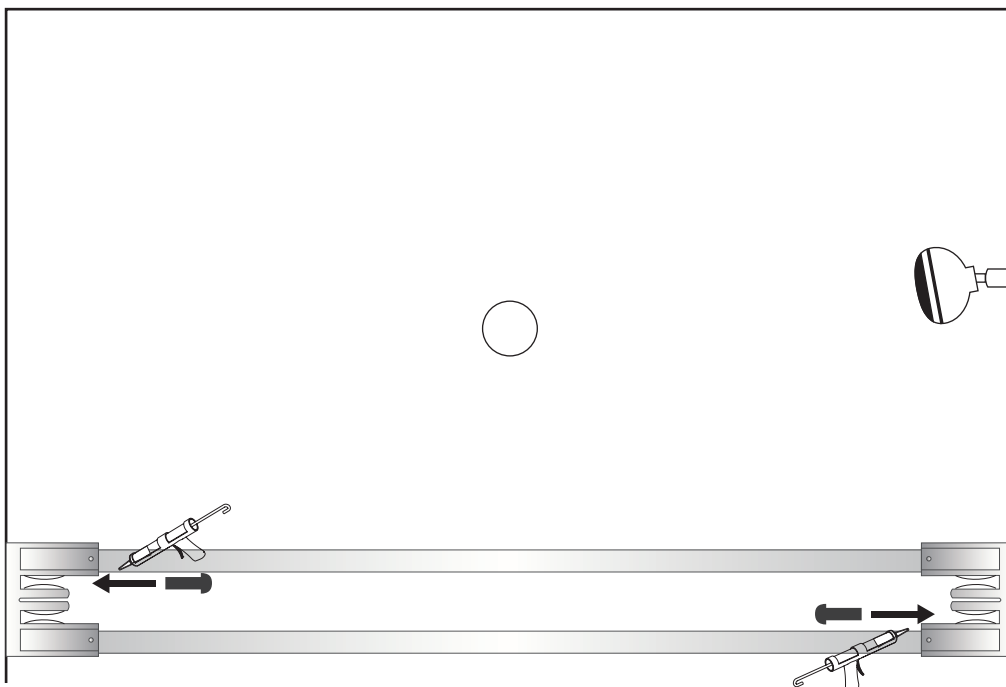


◆ Safety Bumper Page

For configurations with shower head to the left insert safety bumpers into wall brackets as shown

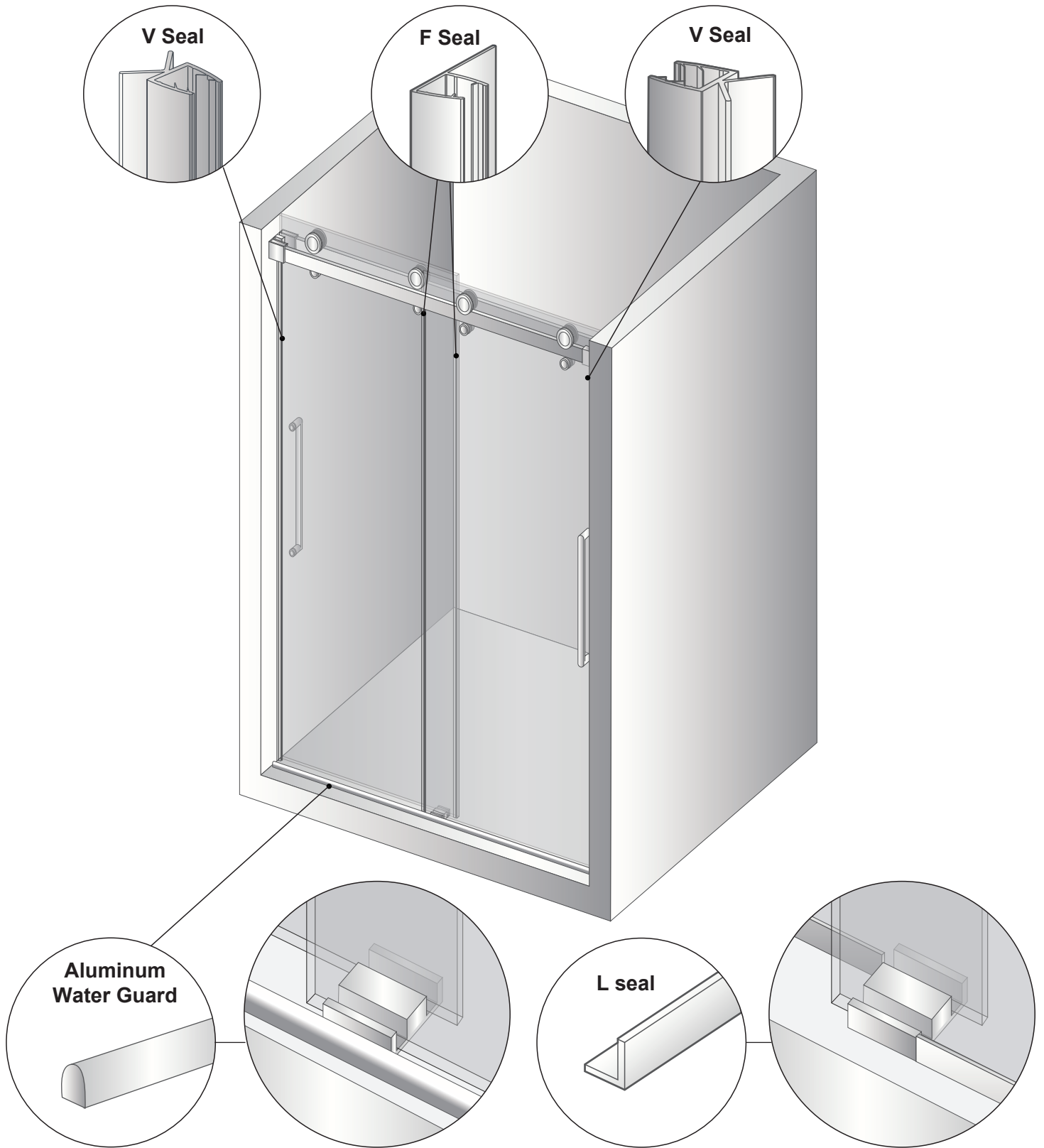


For configurations with shower head to the right insert safety bumpers into wall brackets as shown



DO NOT OPERATE DOORS WITHOUT SAFETY BUMPERS AND SEALS PROPERLY INSTALLED

◆ Seal Page



Preferred method: aluminum water guard

Optional method: polycarbonate L-seal

DO NOT OPERATE DOORS WITHOUT SAFETY BUMPERS AND SEALS PROPERLY INSTALLED