

# eurotech

LUXURY SHOWER DOORS

## TRADITIONAL

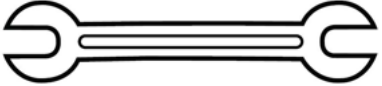
### TWINGLIDE FRAMELESS DUAL SLIDING SHOWER DOOR



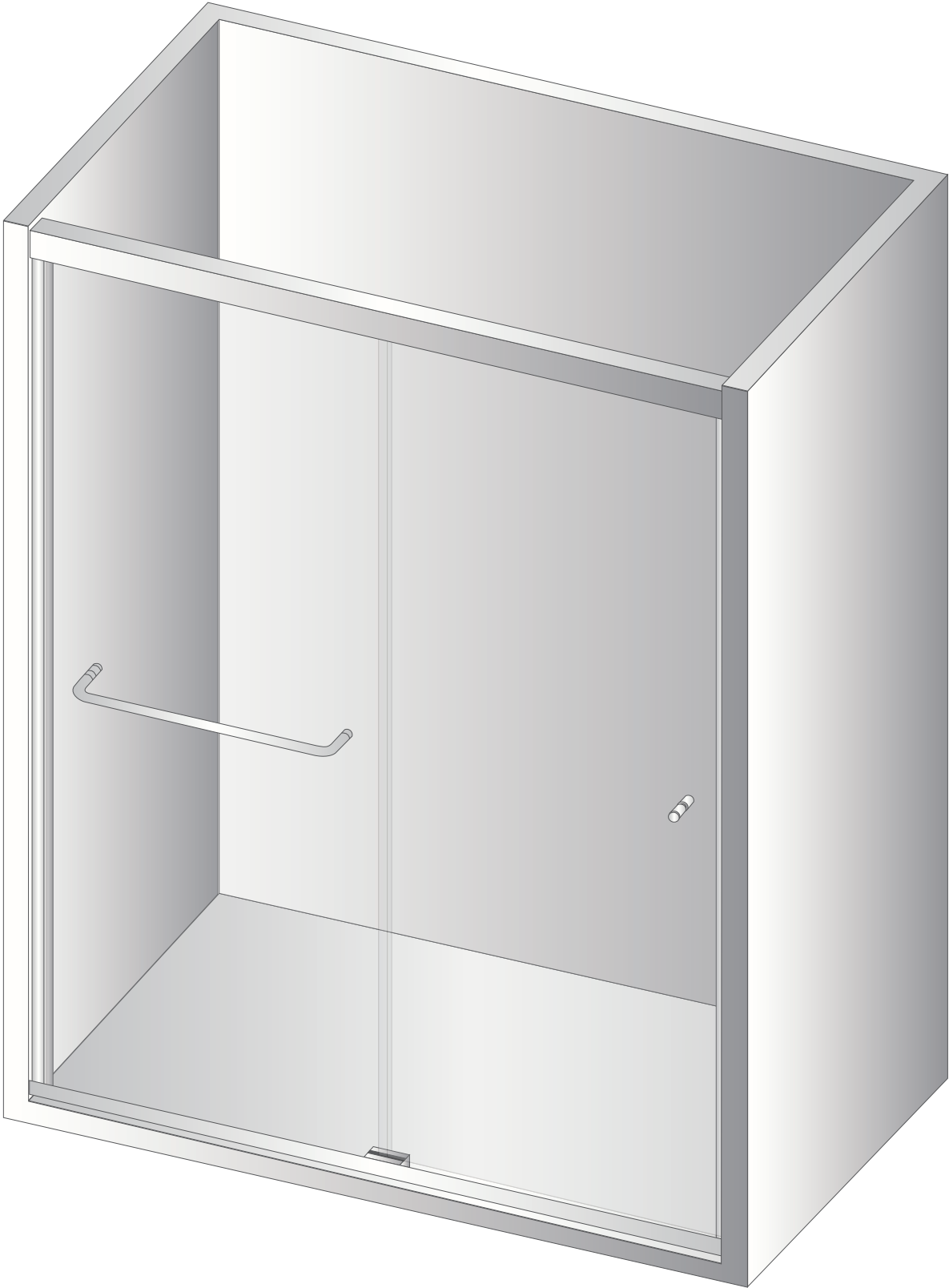
#### **Eurotech Showers**

23532 Commerce Center Dr  
Building B  
Laguna Hills, CA 92653  
949-716-4099  
[eurotechshowers.com](http://eurotechshowers.com)

SUPER EASY INSTALL

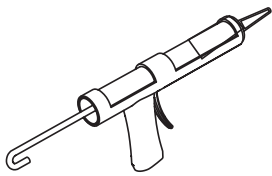


eurotech  
LUXURY SHOWER DOORS

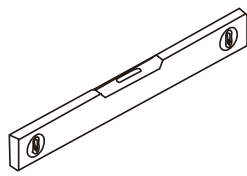


HARDWARE FITS UP TO 72" WIDE OPENING

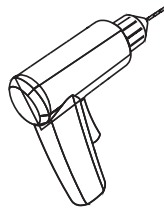
## Tools Required



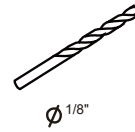
Silicone



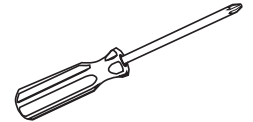
Level



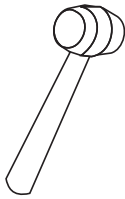
Drill



Masonry Bit



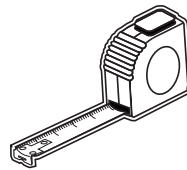
Screwdriver  
(Phillips)



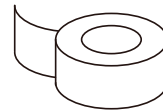
Mallet



Pencil



Tape Measurer



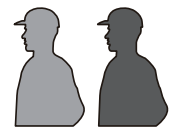
Painters  
Tape



Allen Wrench  
(included)

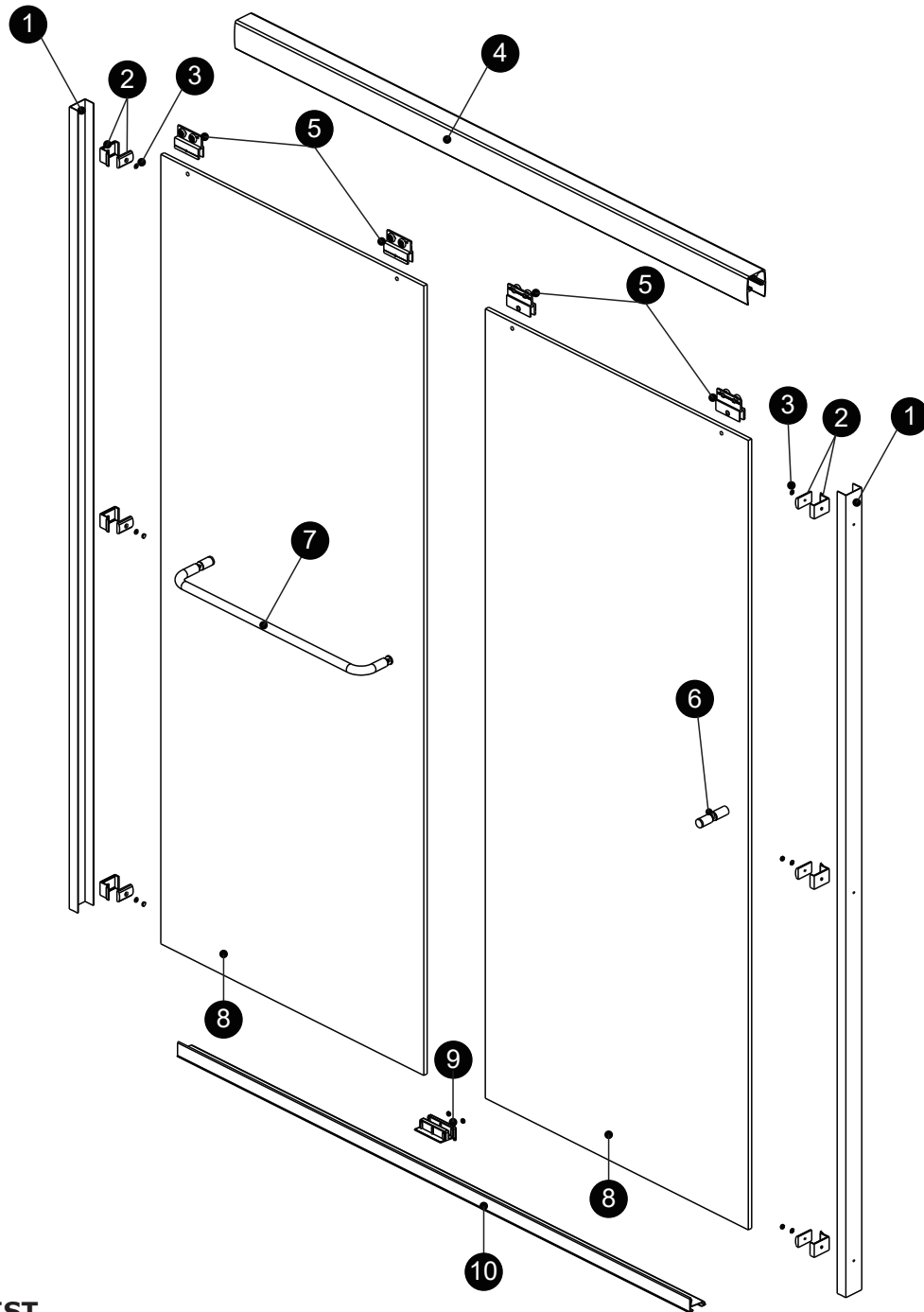


This product is heavy and may require two people to install.



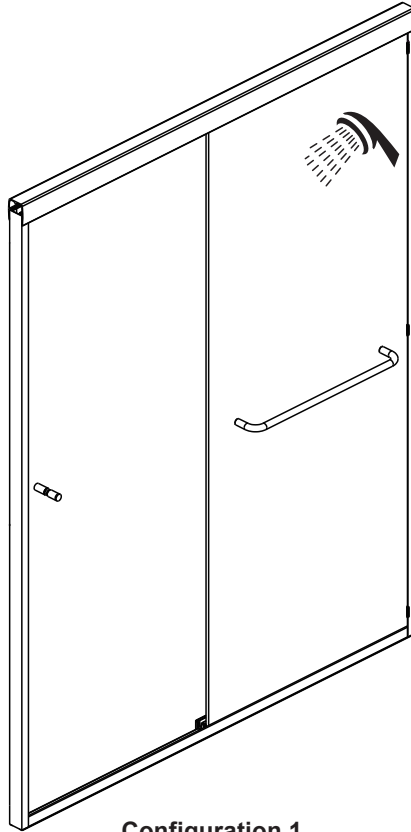
*Congratulations on your purchase of your Eurotech Shower door, making your shower dreams come to life.*

◆ Assembly Drawing

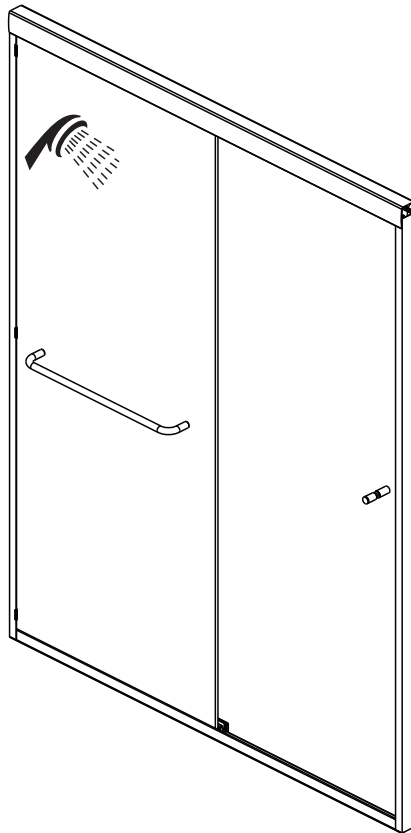


**PACKING LIST**

PART #	DESCRIPTION	Q'TY	PART #	DESCRIPTION	Q'TY
1	Wall Jamb	2pcs	6	Knob	1set
2	Glass Guides x 6	6sets	7	Towel Bar	1set
	Bumper Blocks x 6		8	Door Panel	2pcs
3	Washers	6pcs	9	Bottom Guide	1pc
4	Track	1pc	10	Bottom Sill	1pc
5	Roller Bracket	4sets			



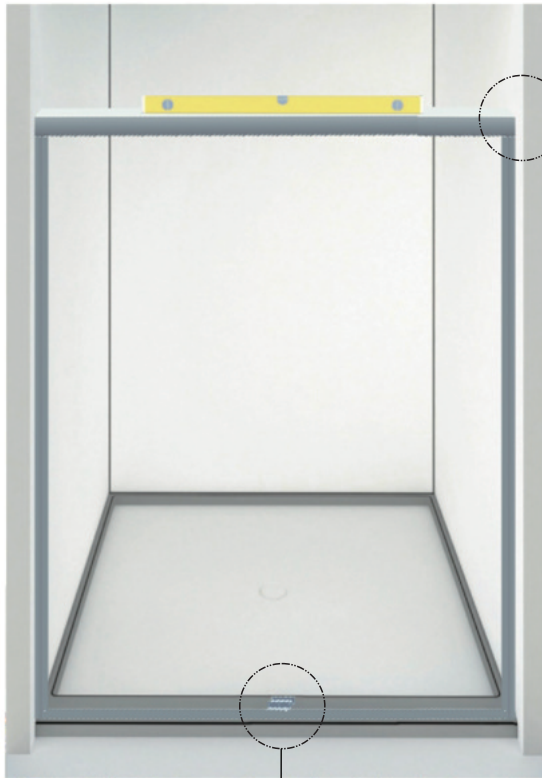
**Configuration 1**



**Configuration 2**

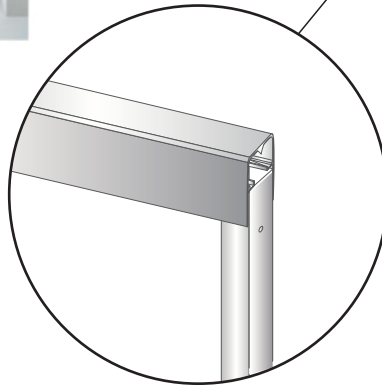
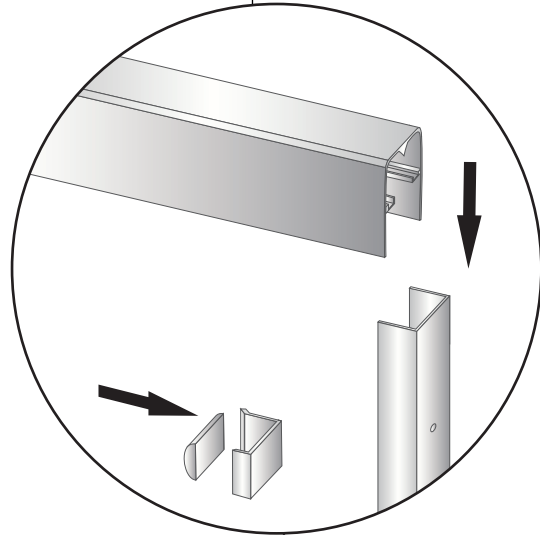


(This Configurations is illustrated in this Manual)

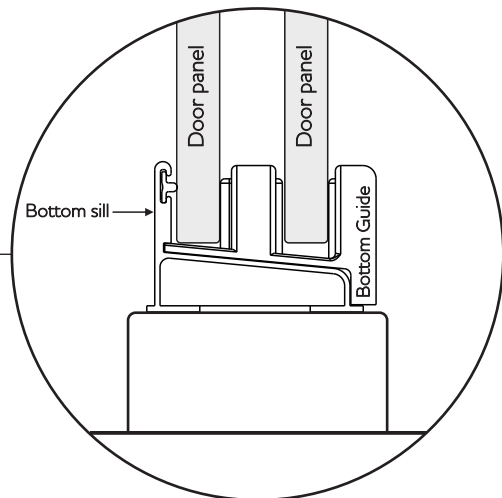
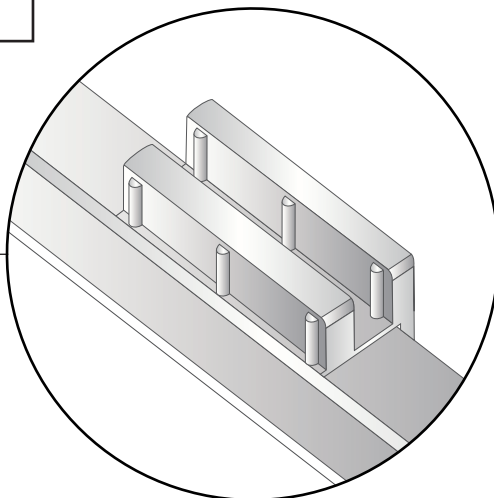


**Header Cut Formula:**  
**overall width minus 1/16"**

**Wall Jamb Cut Formula:**  
**unit height minus 1-7/16"**



**Centerline  
of curb**



**Bottom Sill Cut Formula: overall width minus 1/8"**

