

eurotech

LUXURY SHOWER DOORS

TRADITIONAL

TWINGLIDE FRAMELESS DUAL SLIDING SHOWER DOOR



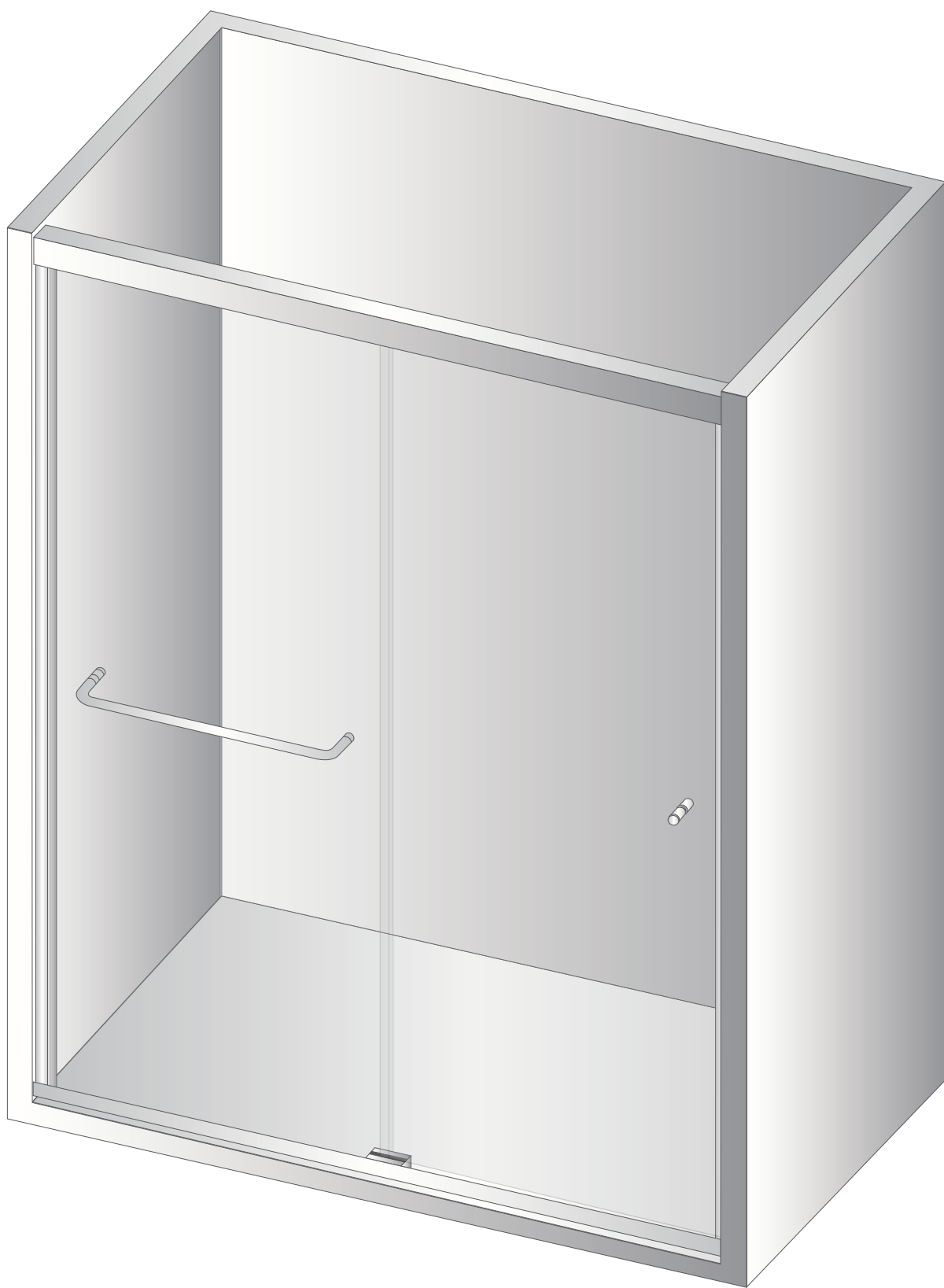
Eurotech Showers

23532 Commerce Center Dr
Building B
Laguna Hills, CA 92653
949-716-4099
eurotechshowers.com

SUPER EASY INSTALL

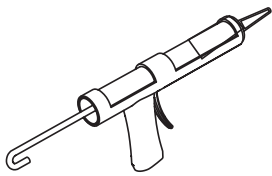


eurotech
LUXURY SHOWER DOORS

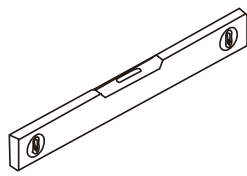


HARDWARE CAN FIT UP TO 60" WIDE OPENING

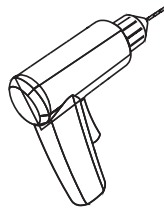
Tools Required



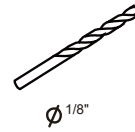
Silicone



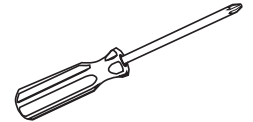
Level



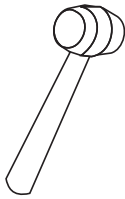
Drill



Masonry Bit



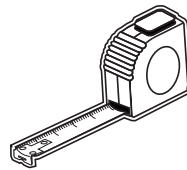
Screwdriver
(Phillips)



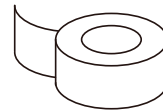
Mallet



Pencil



Tape Measurer



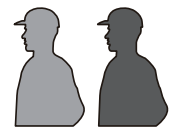
Painters
Tape



Allen Wrench
(included)

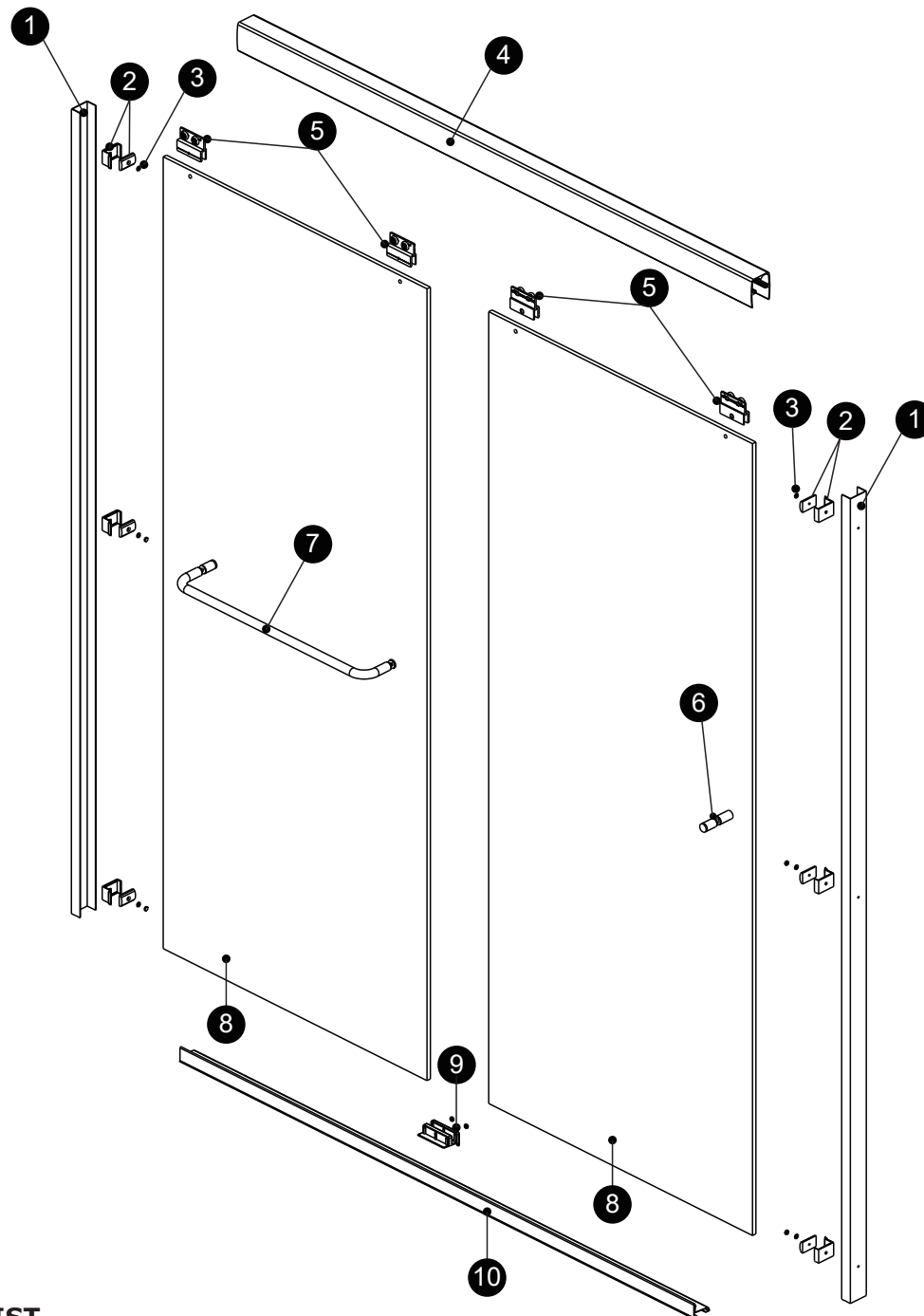


This product is heavy and may require two people to install.



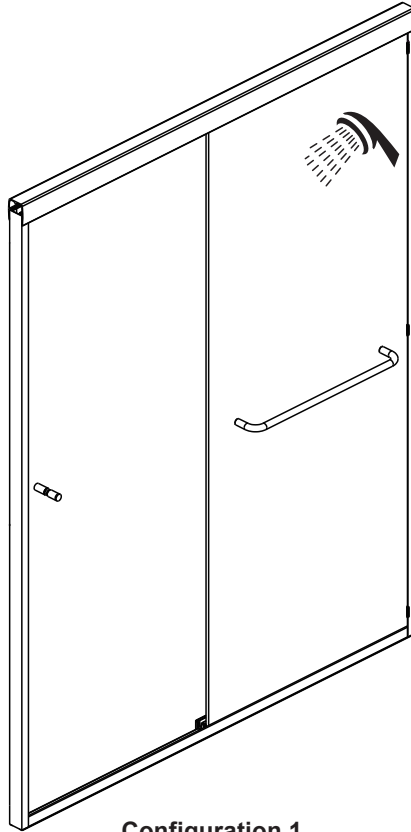
Congratulations on your purchase of your Eurotech Shower door, making your shower dreams come to life.

◆ Assembly Drawing

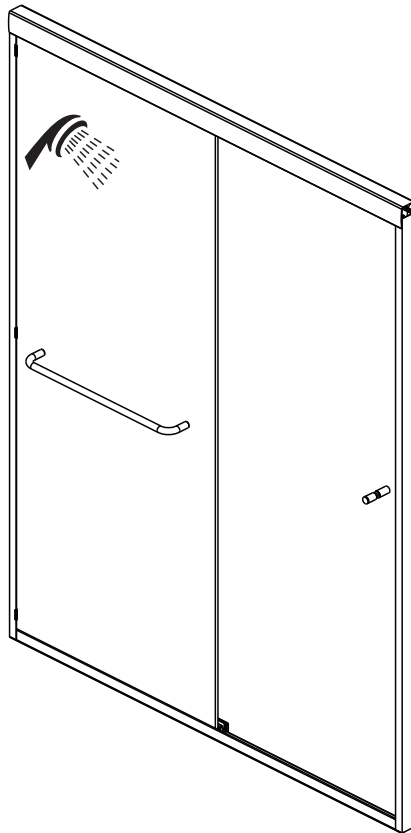


PACKING LIST

PART #	DESCRIPTION	Q'TY	PART #	DESCRIPTION	Q'TY
1	Wall Jamb	2pcs	6	Knob	1set
2	Glass Guides x 6	6sets	7	Towel Bar	1set
	Bumper Blocks x 6		8	Door Panel	2pcs
3	Washers	6pcs	9	Bottom Guide	1pc
4	Track	1pc	10	Bottom Sill	1pc
5	Roller Bracket	4sets			



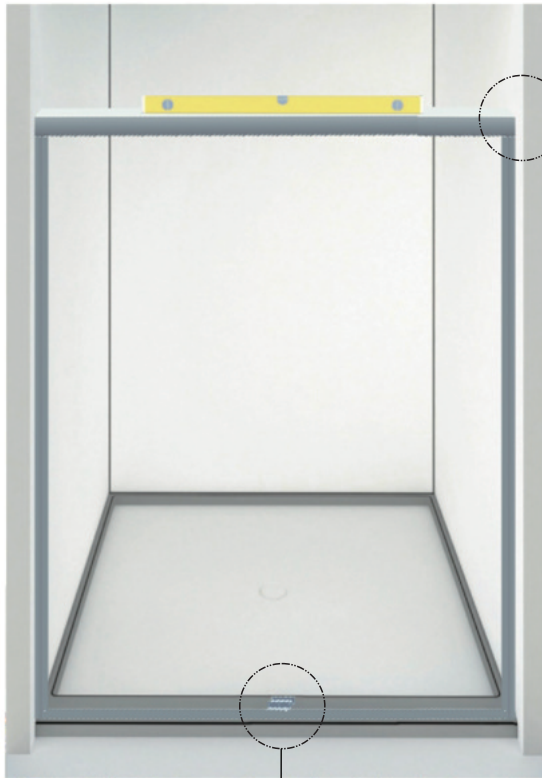
Configuration 1



Configuration 2

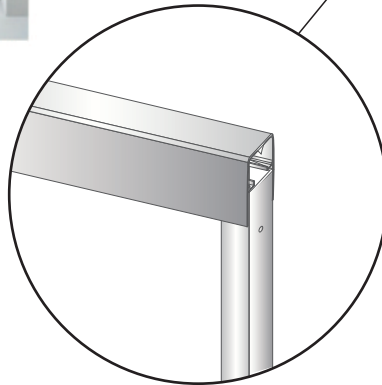
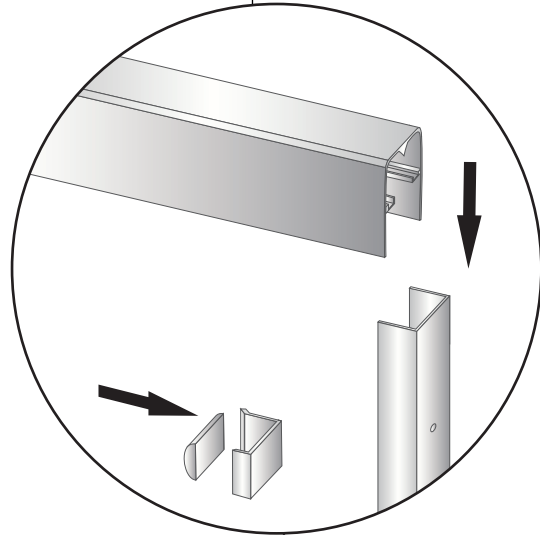


(This Configurations is illustrated in this Manual)

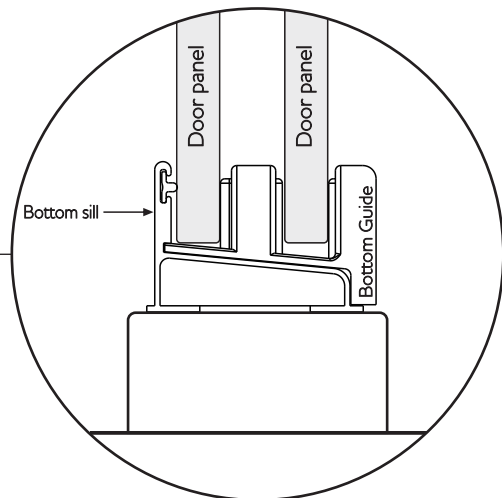
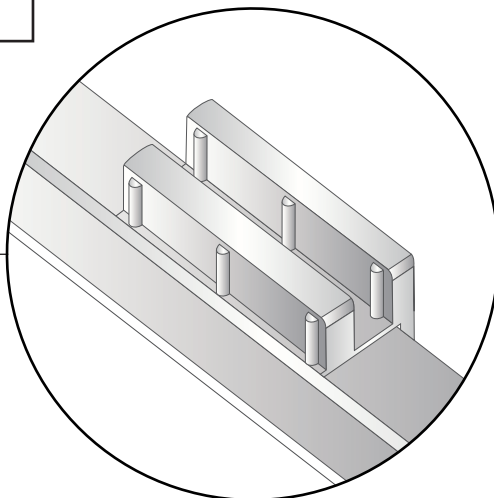


Header Cut Formula:
overall width minus 1/16"

Wall Jamb Cut Formula:
unit height minus 1-7/16"



**Centerline
of curb**



Bottom Sill Cut Formula: overall width minus 1/8"

