

# eurotech

LUXURY SHOWER DOORS

## SOPHIA

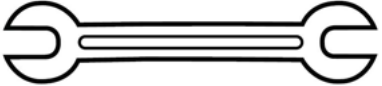
TWINGLIDE FRAMELESS DUAL SLIDING SHOWER DOOR



### **Eurotech Showers**

23532 Commerce Center Dr  
Building B  
Laguna Hills, CA 92653  
949-716-4099  
[eurotechshowers.com](http://eurotechshowers.com)

SUPER EASY INSTALL

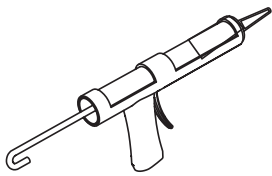


eurotech  
LUXURY SHOWER DOORS

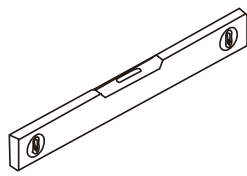


HARDWARE FITS UP TO 72" WIDE OPENING

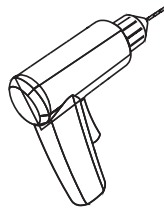
## Tools Required



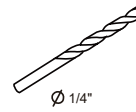
Silicone



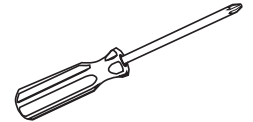
Level



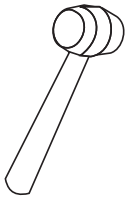
Drill



Masonry Bit



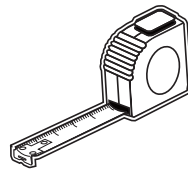
Screwdriver  
(Phillips)



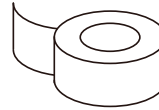
Mallet



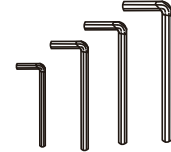
Pencil



Tape Measurer



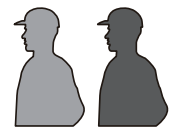
Painters  
Tape



Allen Wrenches  
(included)

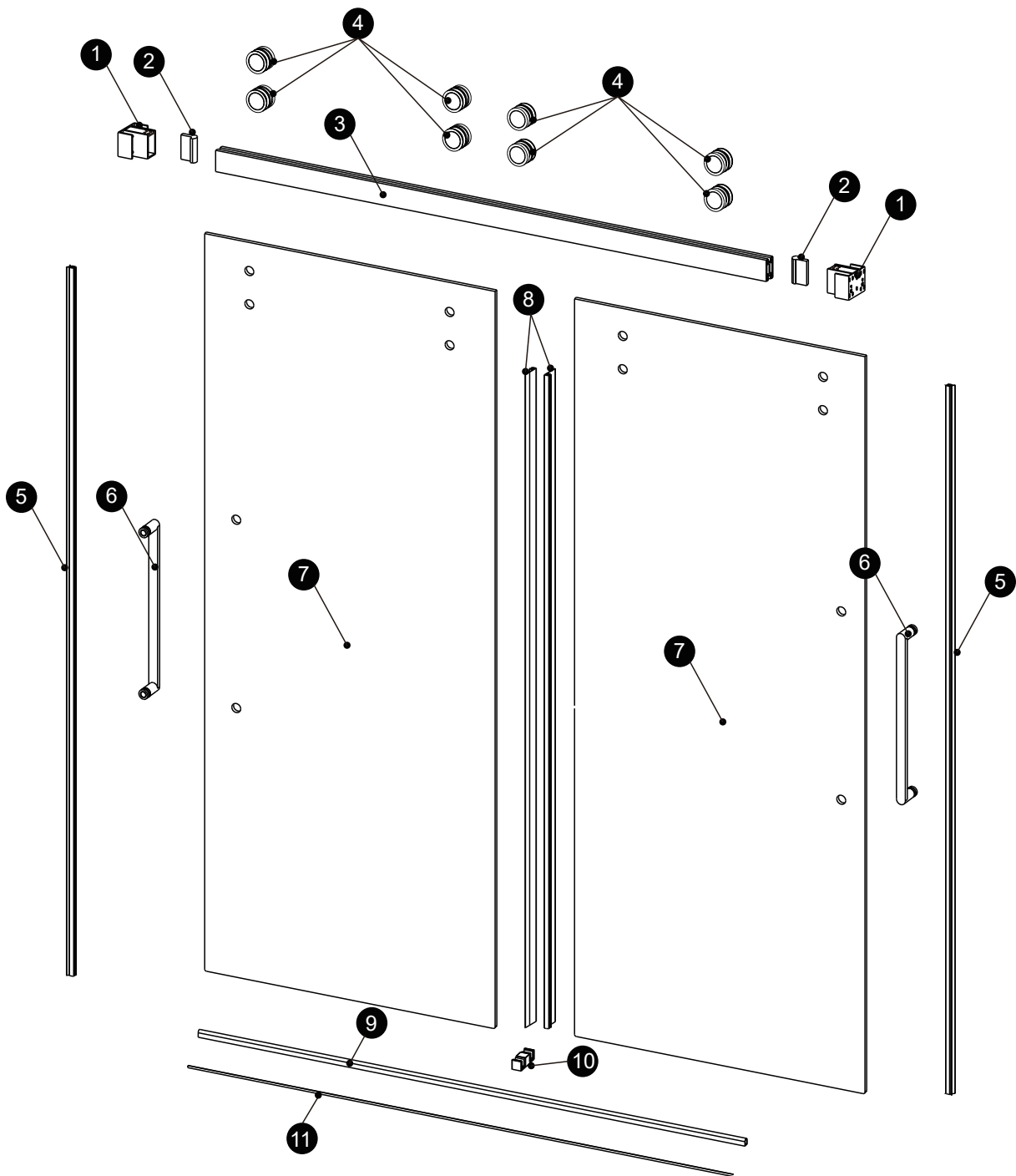


This product is heavy and may require two people to install.



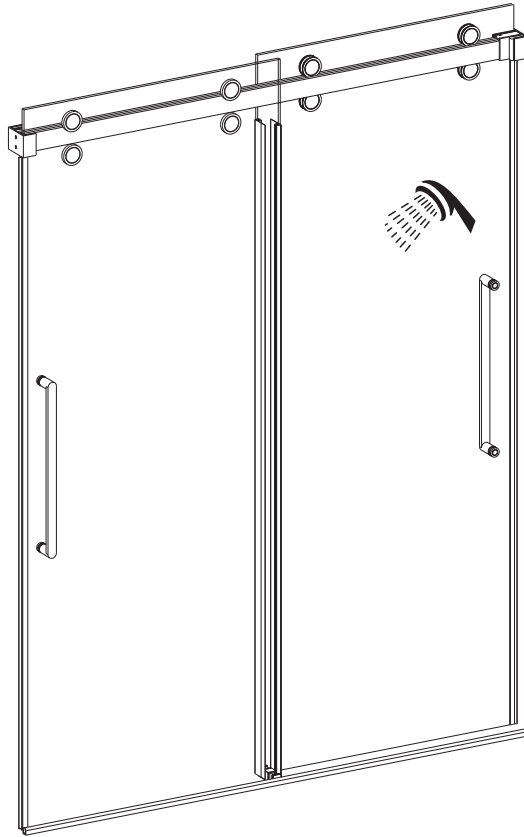
*Congratulations on your purchase of your Eurotech Shower door, making your shower dreams come to life.*

◆ Assembly Drawing

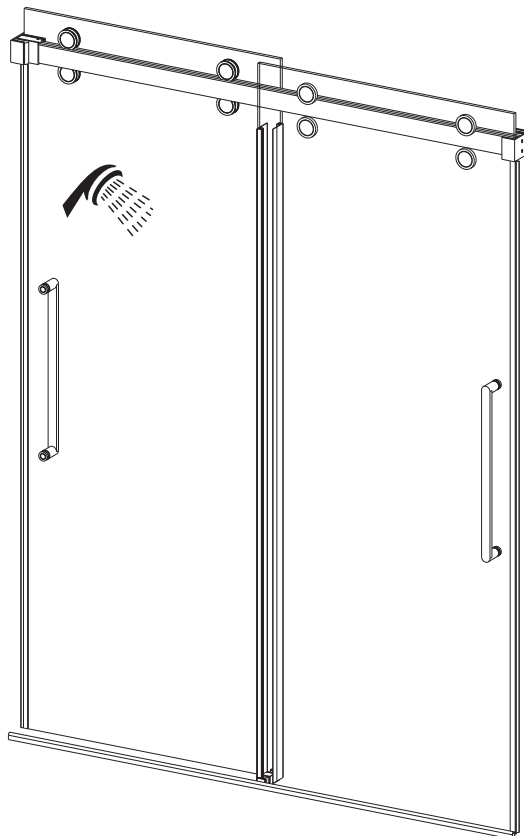


**PACKING LIST**

| PART# | DESCRIPTION    | Q'TY | PART# | DESCRIPTION           | Q'TY |
|-------|----------------|------|-------|-----------------------|------|
| 1     | Wall Bracket   | 2pcs | 7     | Door Panel            | 2pcs |
| 2     | Safety Bumpers | 2pcs | 8     | F Seal                | 1pc  |
| 3     | Track          | 1pc  | 9     | Aluminium Water Guard | 1pc  |
| 4     | Roller         | 8pcs | 10    | Glass Guide           | 1pc  |
| 5     | V Seal         | 2pcs | 11    | L Seal                | 1pc  |
| 6     | Handle         | 2pcs |       |                       |      |



**Configuration 1**

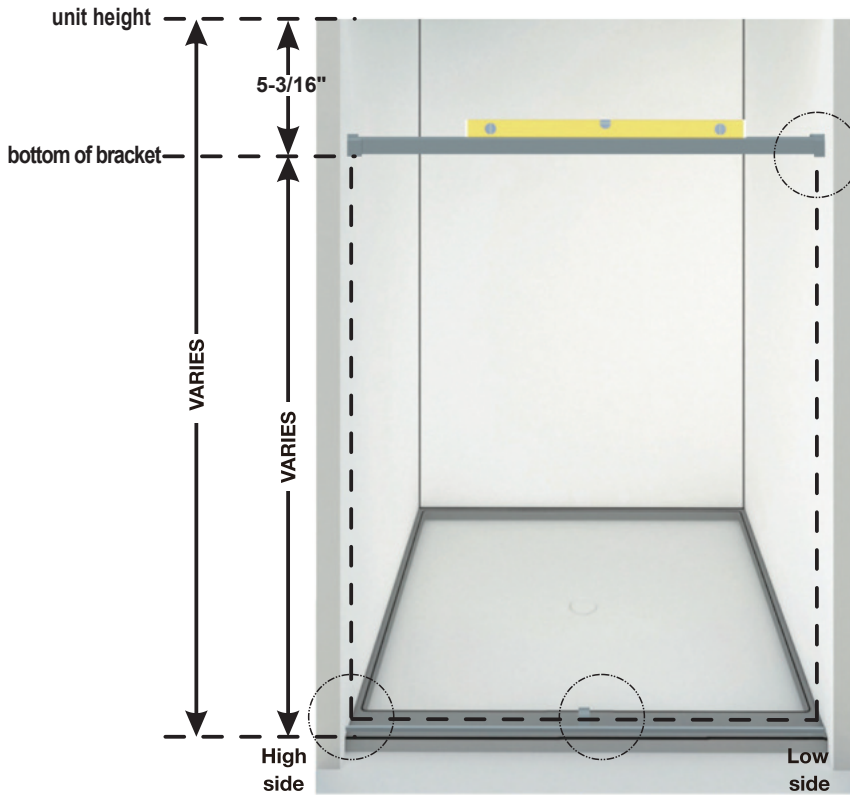


**Configuration 2**

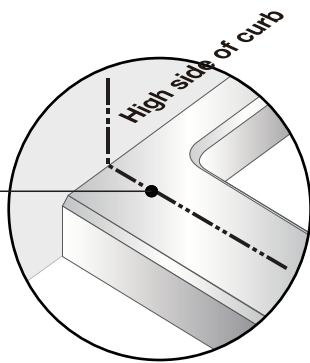
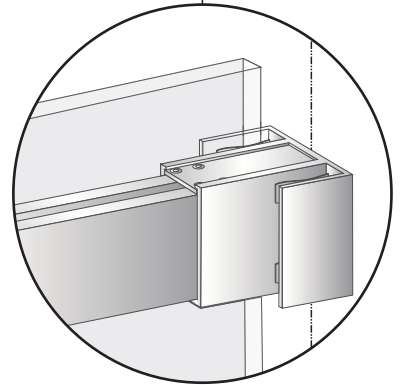
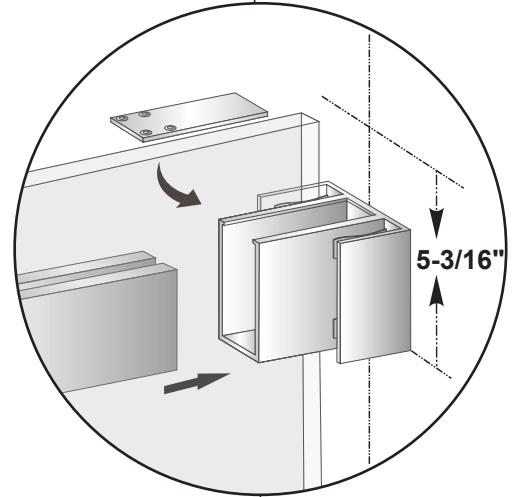


(This Configurations is illustrated in this Manual )

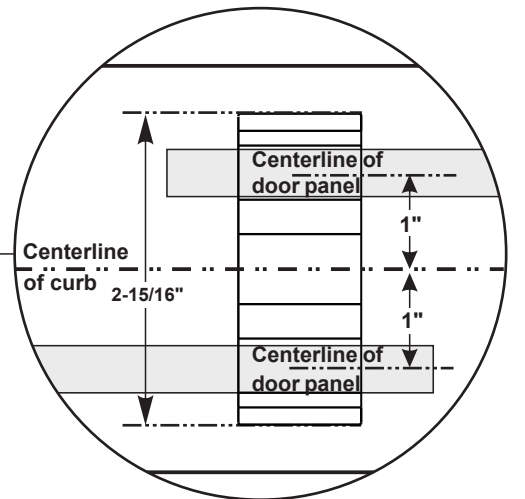
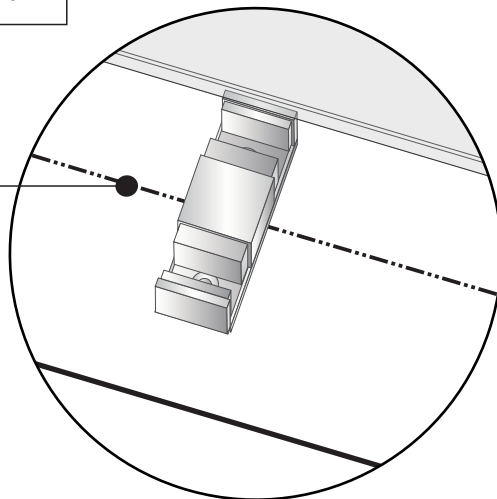
Bar Installation: Mount wall bracket on **high side** of curb first. Level bar to mark opposite wall for second wall bracket.

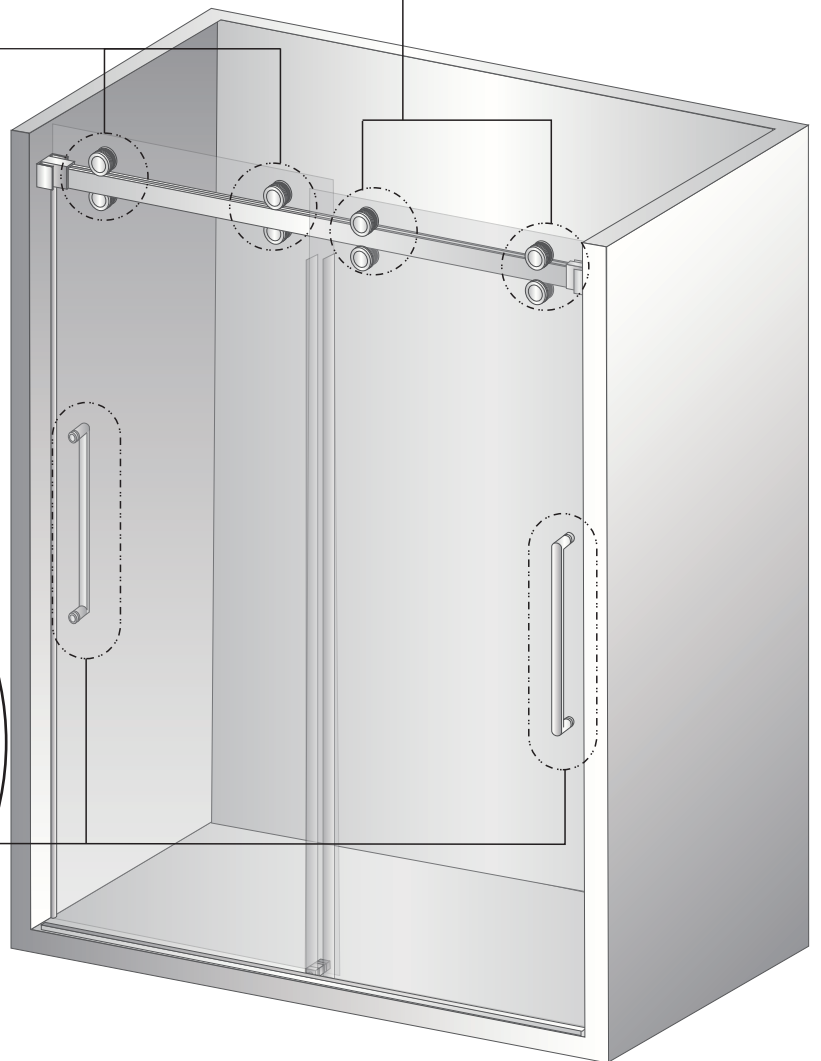
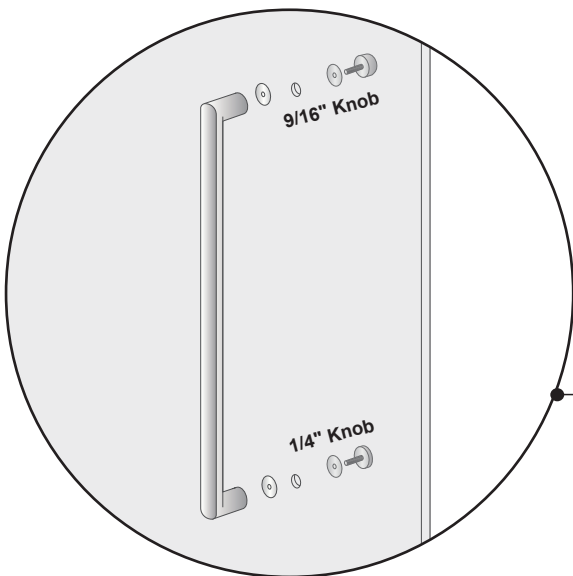
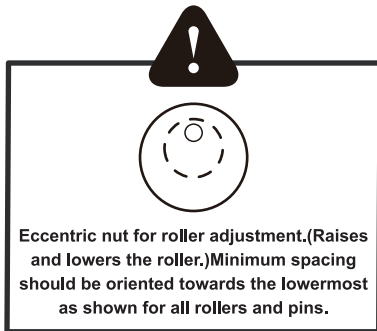
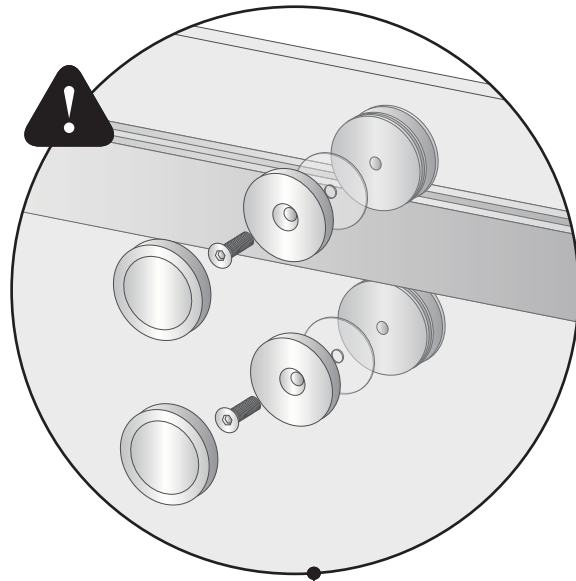
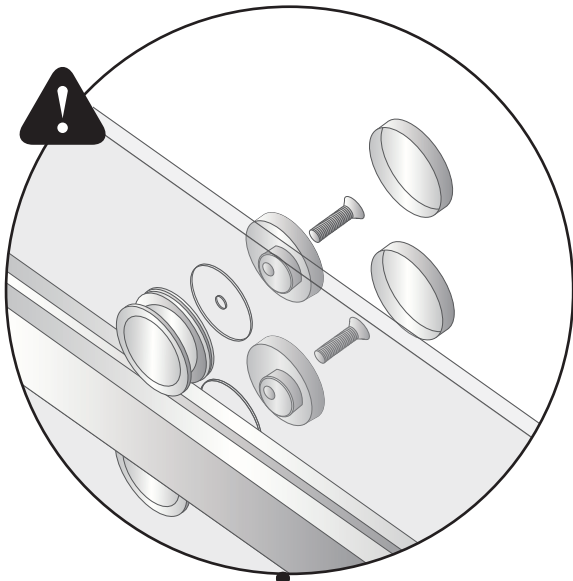


Bar Cut Formula:  
overall width minus 3/4"



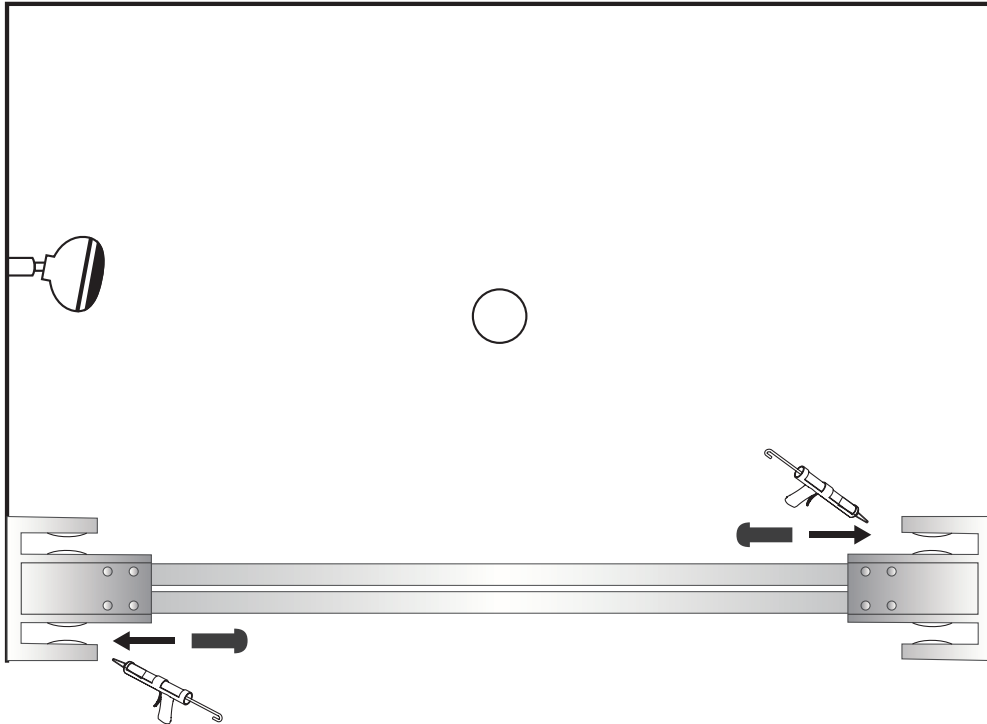
Centerline of curb



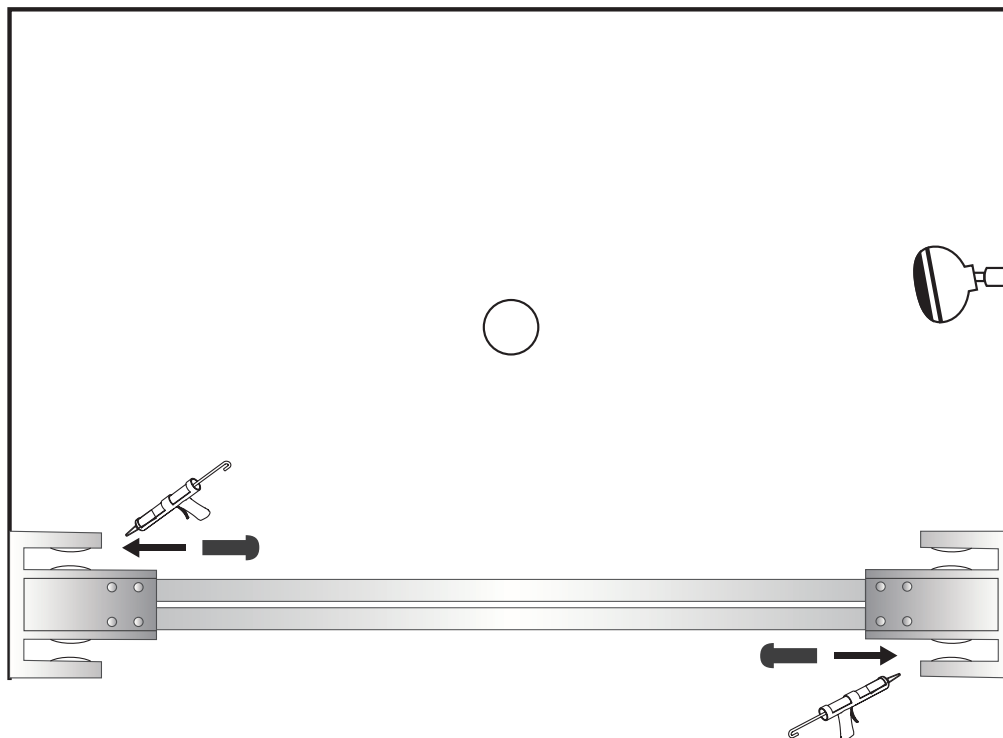


## ◆ Safety Bumper Page

For configurations with shower head to the left insert safety bumpers into wall brackets as shown



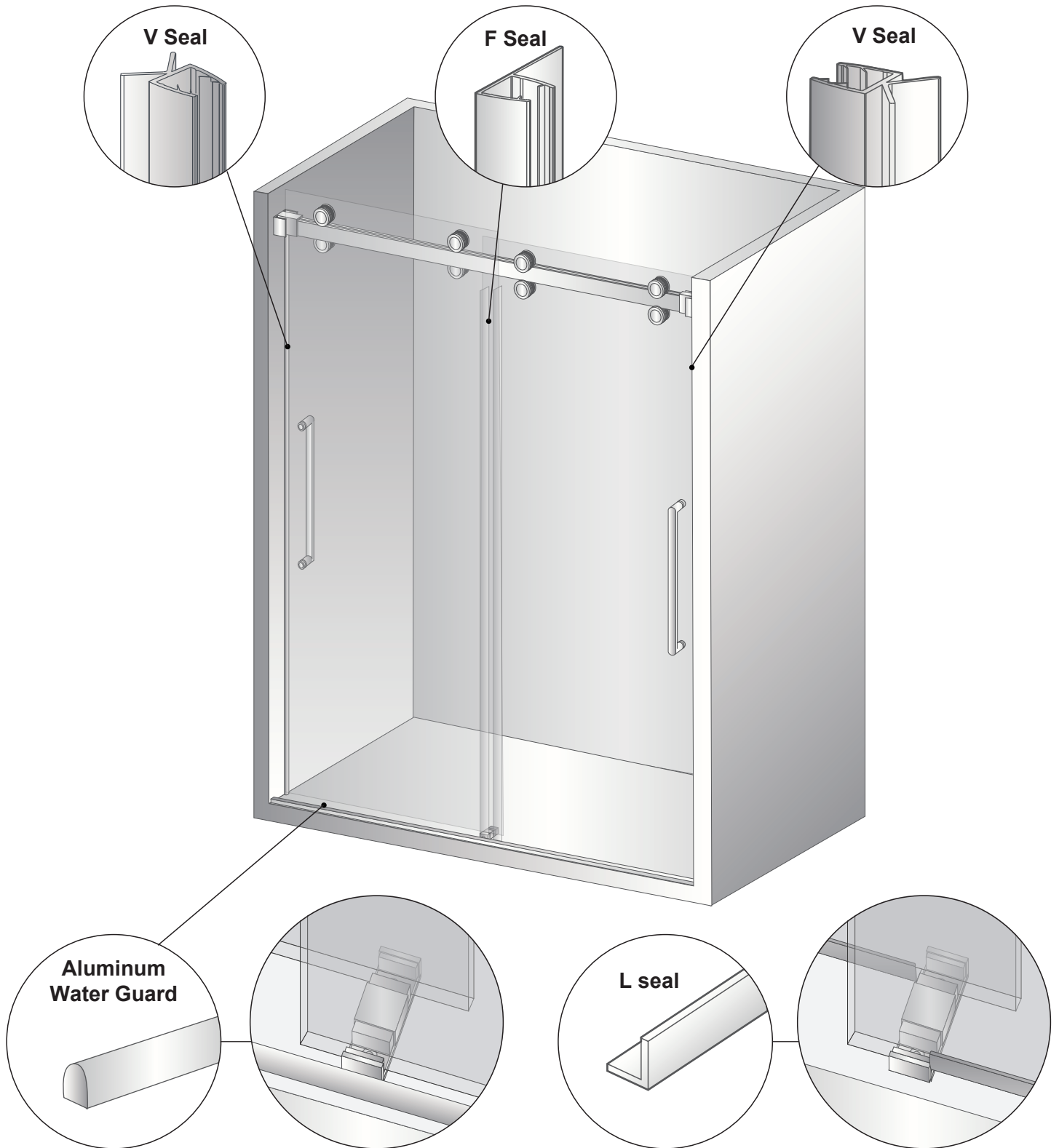
For configurations with shower head to the right insert safety bumpers into wall brackets as shown



**DO NOT OPERATE DOORS WITHOUT SAFETY BUMPERS AND SEALS PROPERLY INSTALLED**



◆ Seal Page



Preferred method: aluminum water guard

Optional method: polycarbonate L-seal

Aluminum Water Guard Cut Formula: **overall width minus 1/16"**

**DO NOT OPERATE DOORS WITHOUT SAFETY BUMPERS AND SEALS PROPERLY INSTALLED**