

# eurotech

LUXURY SHOWER DOORS

## TRADITIONAL TWINGLIDE FRAMELESS DUAL SLIDING SHOWER DOOR



### **Eurotech Showers**

23532 Commerce Center Dr.,  
Building B  
Laguna Hills, CA 92653  
949-716-4099  
[eurotechshowers.com](http://eurotechshowers.com)

## FEATURES

- Anodized aluminum top track, wall jamb, and bottom sill
- (4) hanger roller brackets enclosed inside top track
- Up to 3/8" out of plumb adjustability
- 2 configurations
- (1) 24" round style towel bar with bumper knob on backside & (1) back to back bumper knob
- Standard 3/8" (10mm) clear tempered glass with optional rain tempered glass
- Enduroshield coating to reduce cleaning time by up to 90%



## FINISHES



Chrome

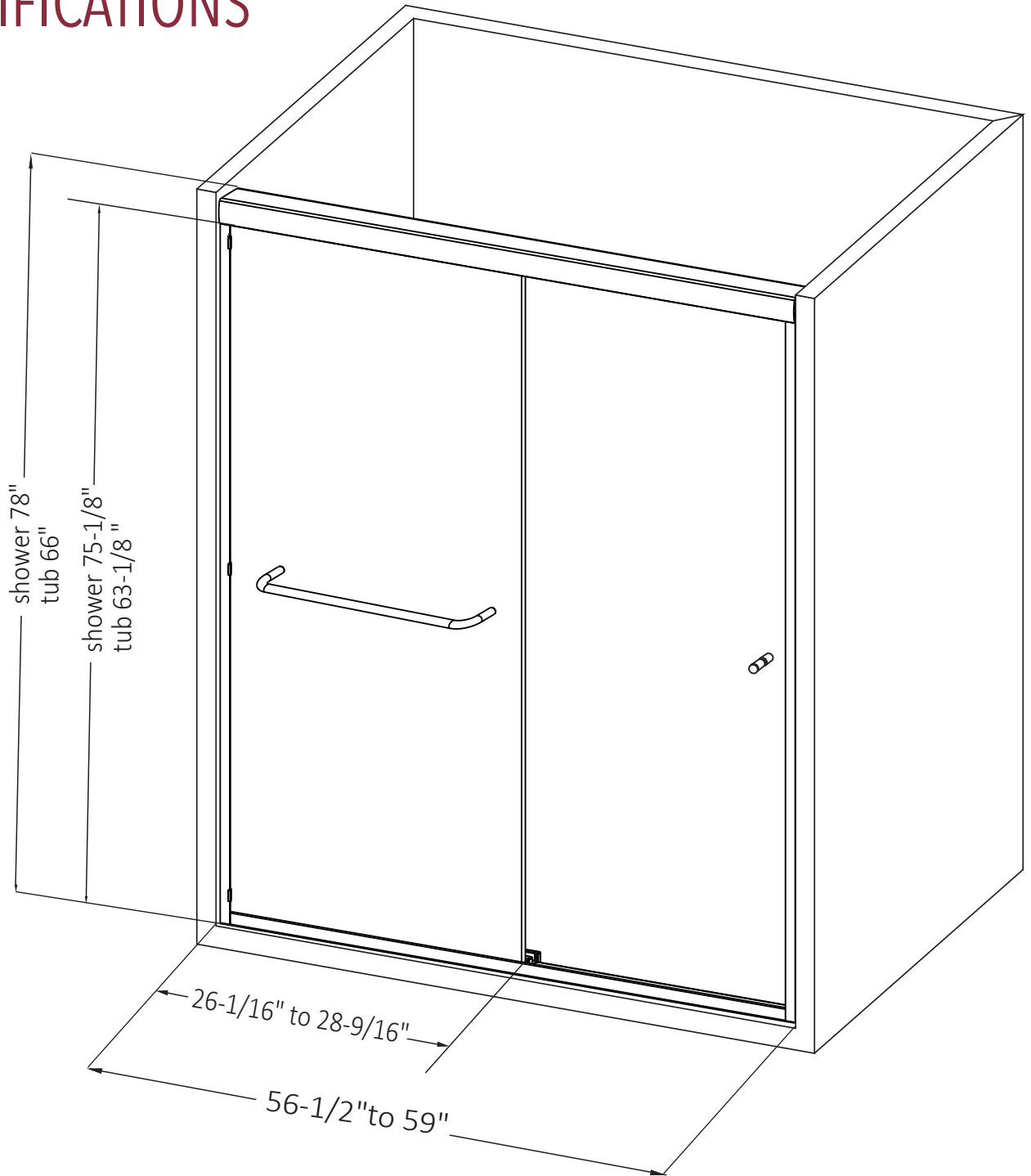


Matte Black



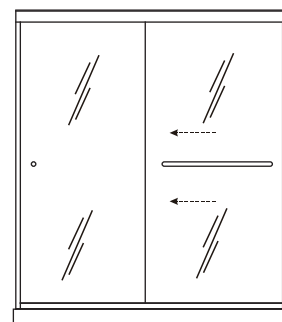
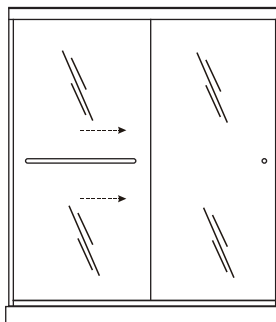
Brushed Nickel

# SPECIFICATIONS

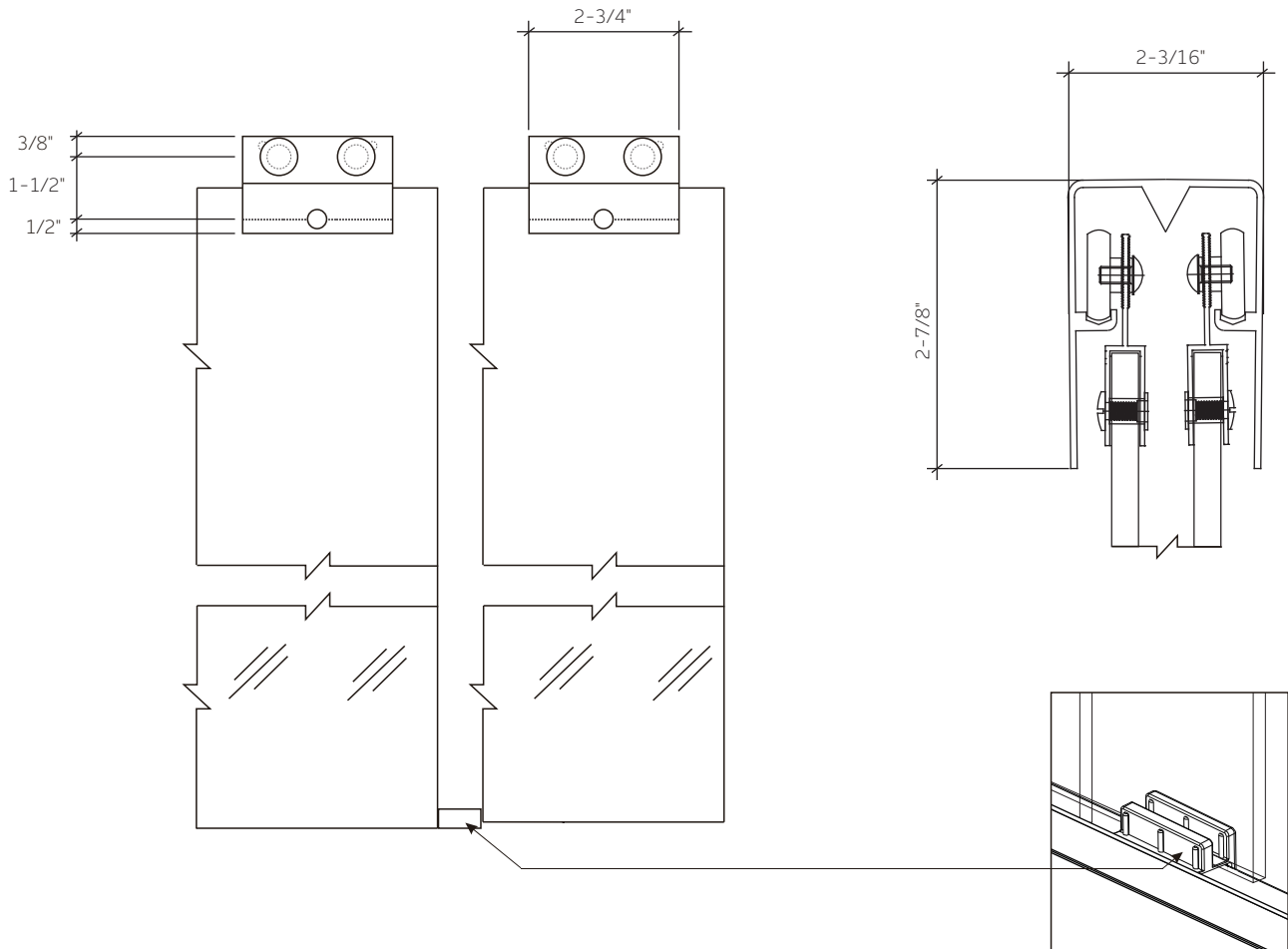


## CONFIGURATIONS

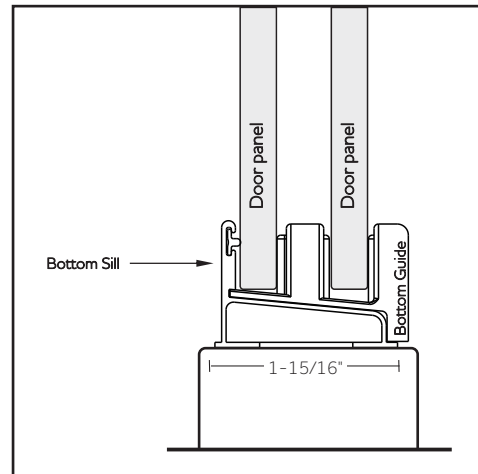
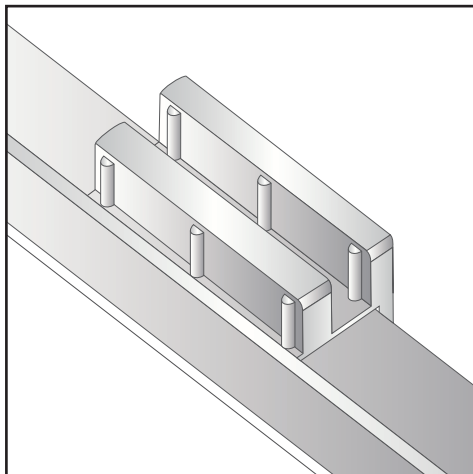
exterior or interior door capability



# SPECIFICATIONS



## FOOTPRINT FOR BOTTOM SILL



# PARTS LIST

- 1) wall jamb
- 2) bumper assembly
- 3) track
- 4) roller bracket
- 5) towel bar
- 6) door panel
- 7) bottom guide
- 8) sill
- 9) knob

