

eurotech

LUXURY SHOWER DOORS

MONACO W/WALL JAMBS TWINGLIDE FRAMELESS DUAL SLIDING SHOWER DOOR



Eurotech Showers

23532 Commerce Center Dr.,
Building B
Laguna Hills, CA 92653
949-716-4099
eurotechshowers.com

FEATURES

- Anodized aluminum top track and wall jambs
- (8) 45mm dual sided rollers
- Up to 3/8" out of plumb adjustability
- 2 configurations
- Door grippers incorporated into wall brackets
- (2) 19" flat style handles with knob on backside
- Dual water diverter sets (aluminum and polycarbonate)
- Standard 3/8" (10mm) clear tempered glass with optional ultra-clear (low iron) tempered glass or rain tempered glass
- Enduroshield coating to reduce cleaning time by up to 90%



FINISHES



Chrome

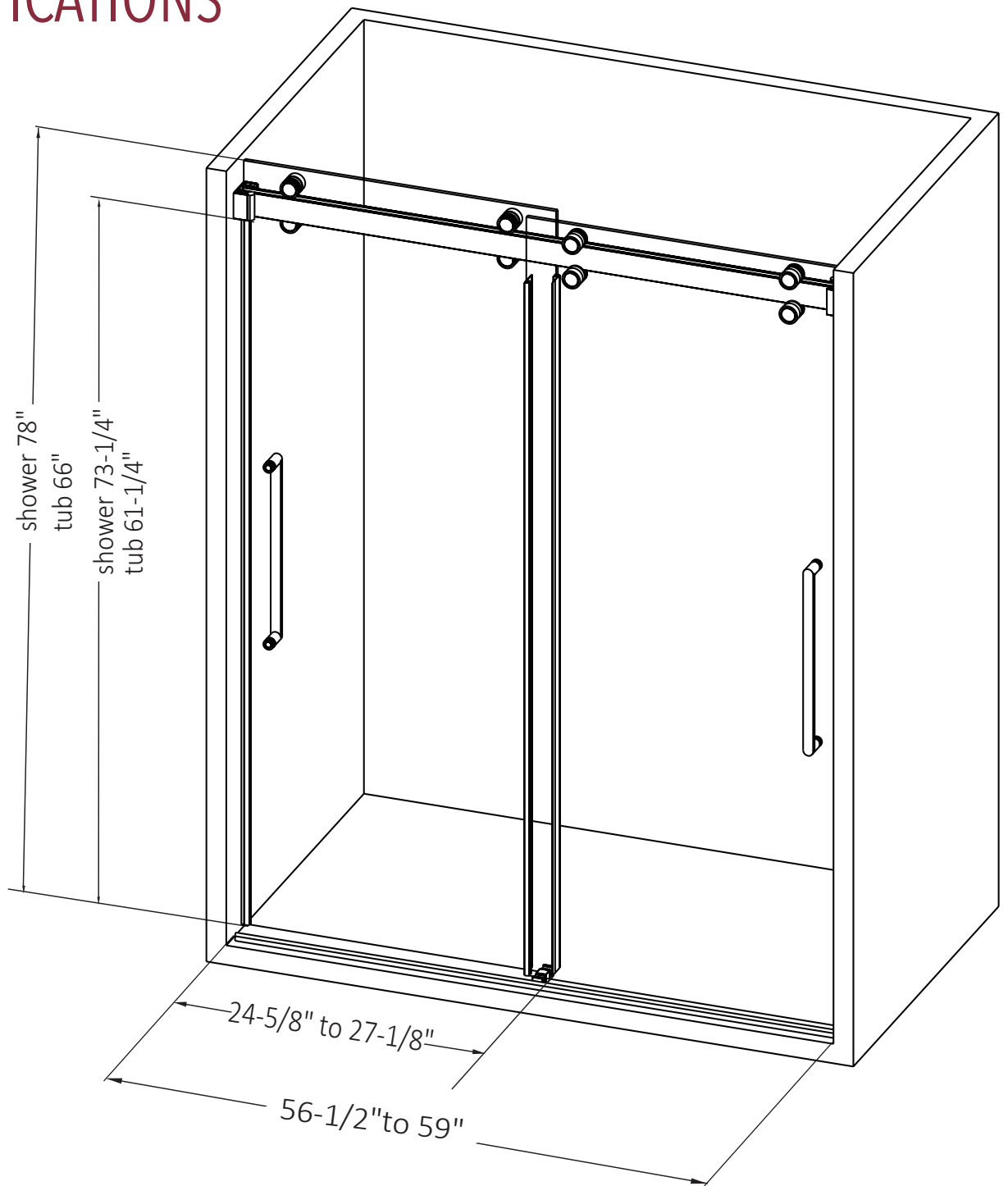


Matte Black



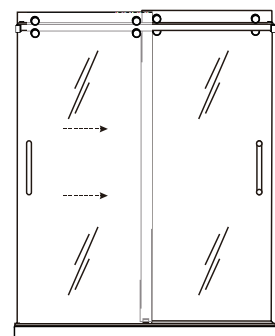
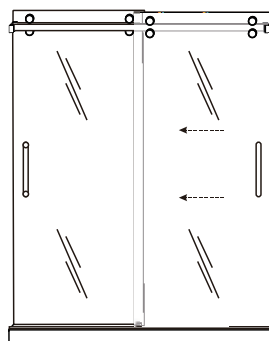
Brushed Nickel

SPECIFICATIONS

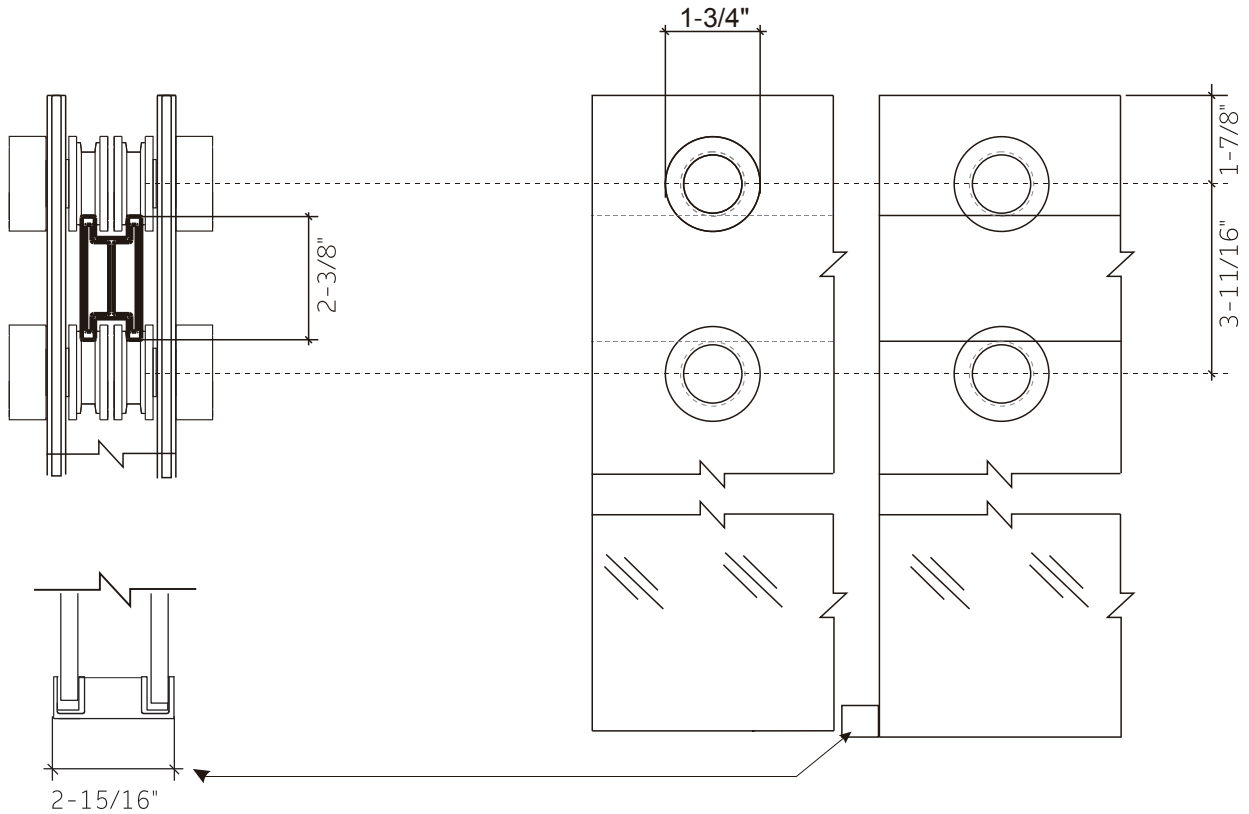


CONFIGURATIONS

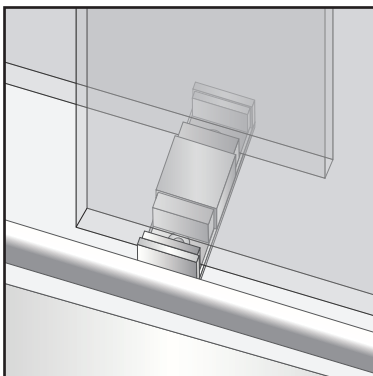
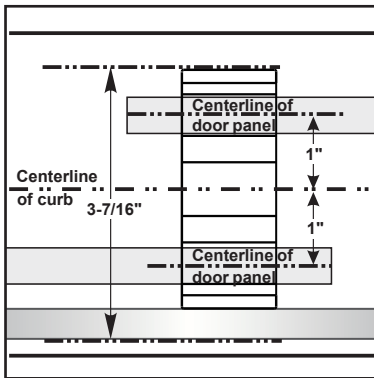
exterior or interior door capability



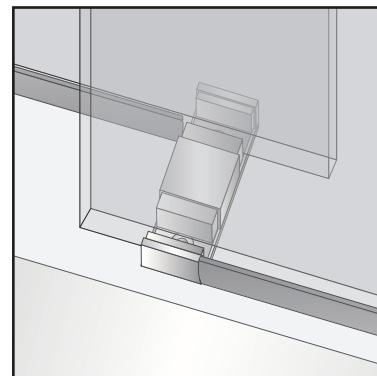
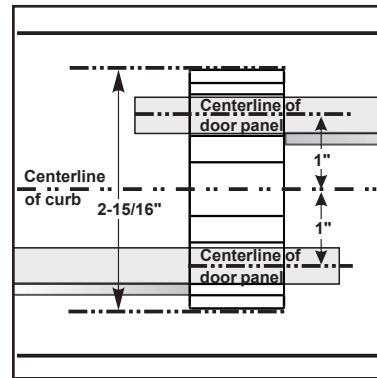
SPECIFICATIONS



FOOTPRINT USING ALUMINUM WATER GUARD



FOOTPRINT USING POLYCARBONATE L-SEAL



PARTS LIST

- | | |
|------------------|-------------------------|
| 1) wall bracket | 6) handle |
| 2) safety bumper | 7) door panel |
| 3) track | 8) F-seal |
| 4) roller | 9) aluminum water guard |
| 5) wall jamb | 10) bottom guide |
| 5A) jamb guide | 11) L-seal |

