

# eurotech

LUXURY SHOWER DOORS

## MONACO

TWINGLIDE FRAMELESS DUAL SLIDING SHOWER DOOR



**Eurotech Showers**

23532 Commerce Center Dr.,  
Building B  
Laguna Hills, CA 92653  
949-716-4099  
[eurotechshowers.com](http://eurotechshowers.com)

## FEATURES

- Anodized aluminum top track
- (8) 45mm dual sided rollers
- Up to 3/8" out of plumb adjustability
- 2 configurations
- Door grippers incorporated into wall brackets
- (2) 19" flat style handles with knob on backside
- Dual water diverter sets (aluminum and polycarbonate)
- Standard 3/8" (10mm) clear tempered glass with optional ultra-clear (low iron) tempered glass or rain tempered glass
- Enduroshield coating to reduce cleaning time by up to 90%



## FINISHES



Chrome

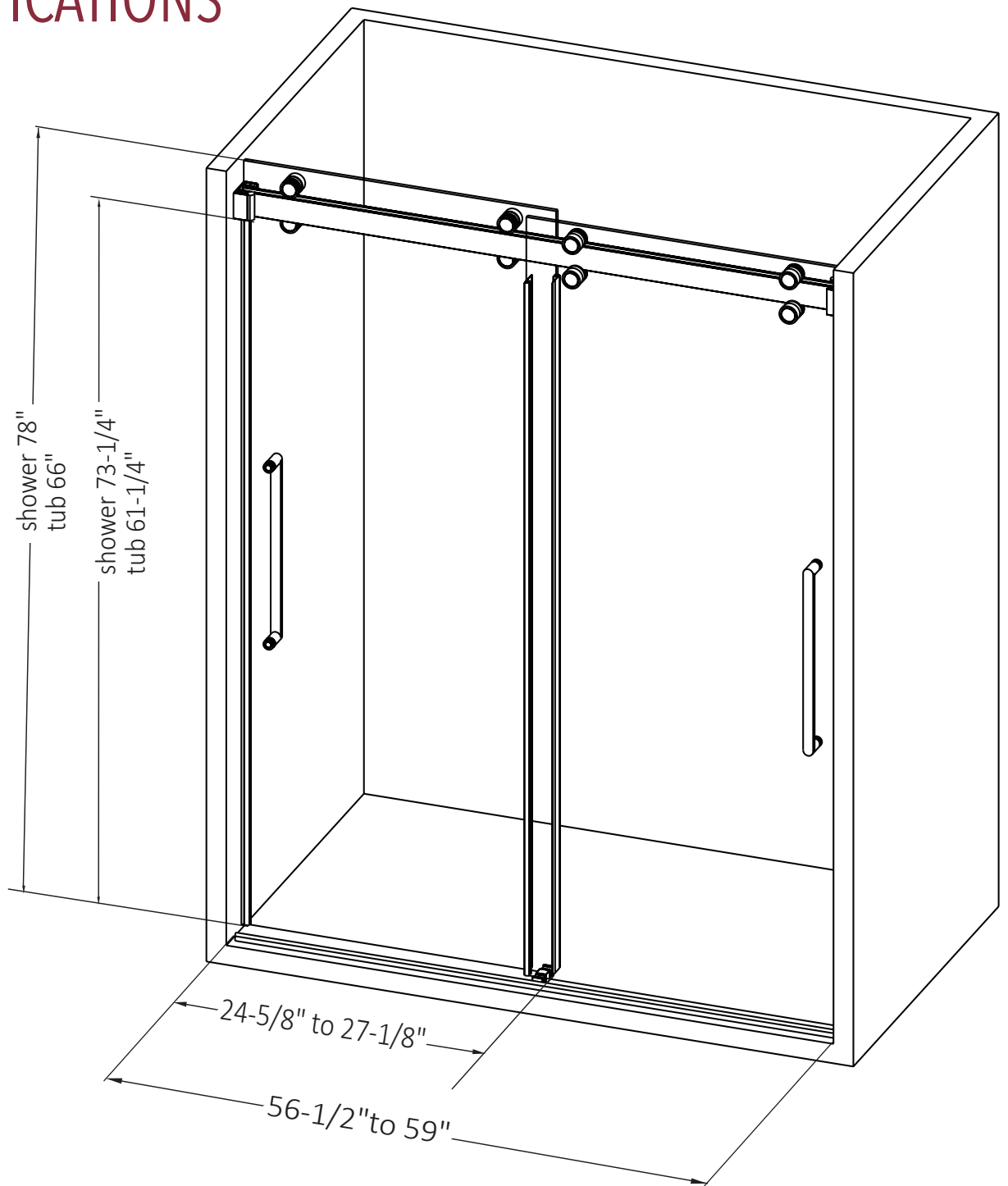


Matte Black



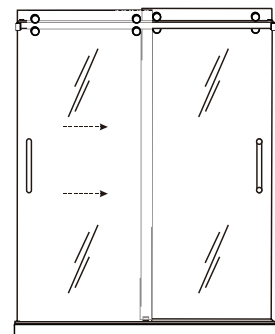
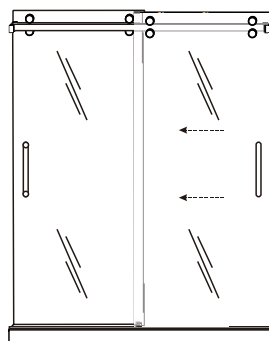
Brushed Nickel

# SPECIFICATIONS

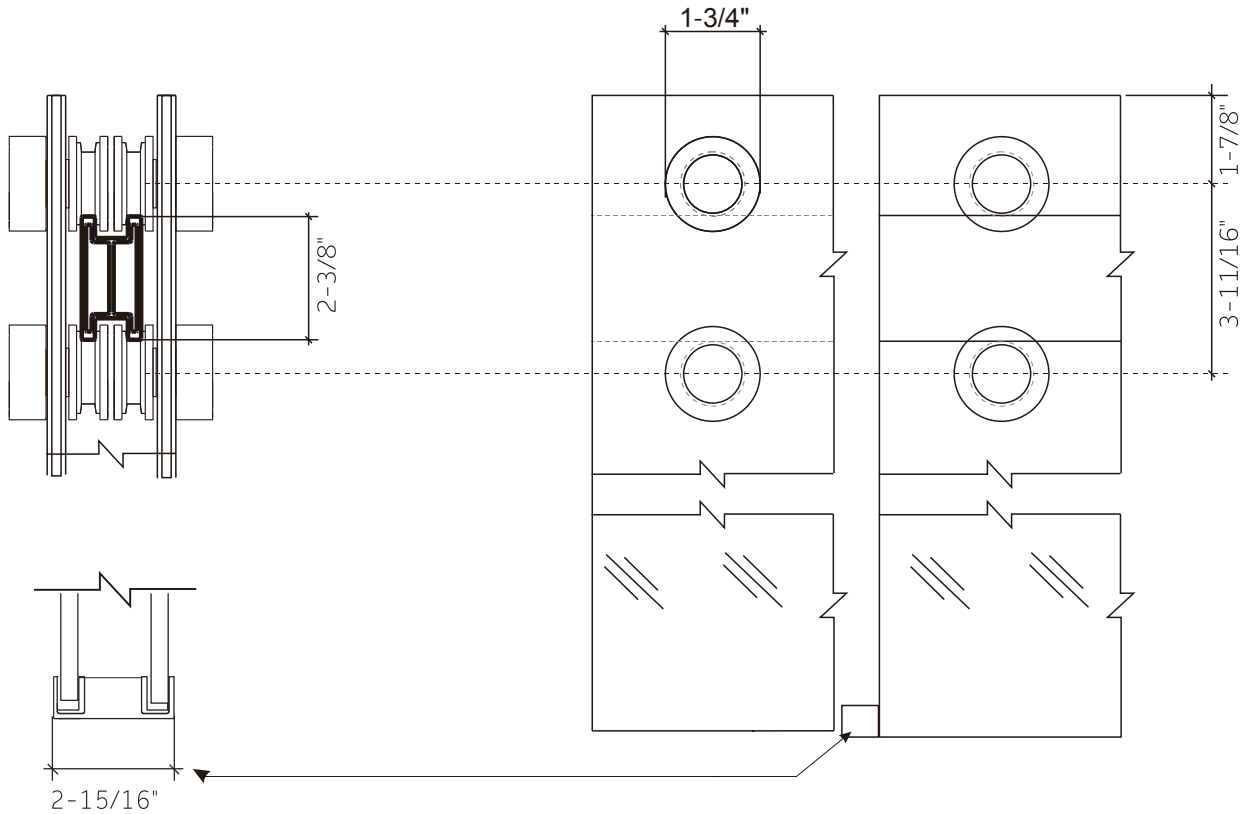


## CONFIGURATIONS

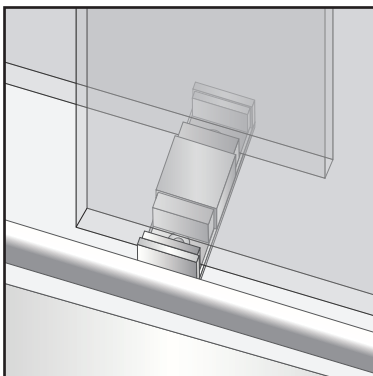
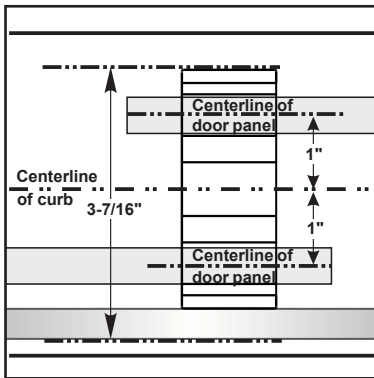
exterior or interior door capability



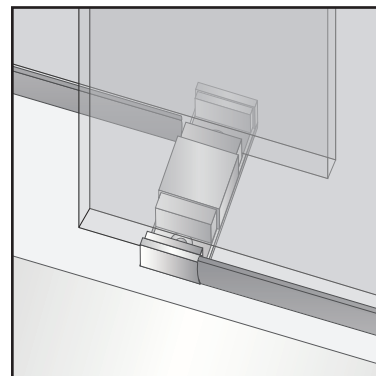
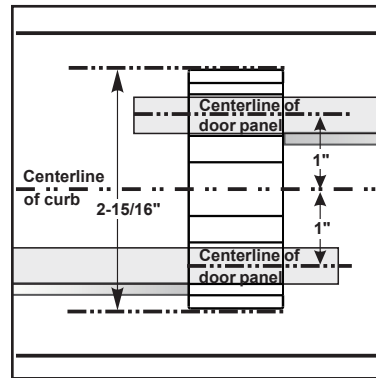
# SPECIFICATIONS



**FOOTPRINT USING ALUMINUM WATER GUARD**



**FOOTPRINT USING POLYCARBONATE L-SEAL**



# PARTS LIST

- |                  |                         |
|------------------|-------------------------|
| 1) wall bracket  | 7) door panel           |
| 2) safety bumper | 8) F-seal               |
| 3) track         | 9) aluminum water guard |
| 4) roller        | 10) bottom guide        |
| 5) V-seal        | 11) L-seal              |
| 6) handle        |                         |

