

# eurotech

LUXURY SHOWER DOORS

## BRIGHTON

### TWINGLIDE FRAMELESS DUAL SLIDING SHOWER DOOR



#### **Eurotech Showers**

23532 Commerce Center Dr.,  
Building B  
Laguna Hills, CA 92653  
949-716-4099  
[eurotechshowers.com](http://eurotechshowers.com)

# FEATURES

- Anodized aluminum top track
- (4) 45mm dual sided rollers
- (4) 28mm dual sided anti-jump pins
- Up to 3/8" out of plumb adjustability
- 2 configurations
- Door grippers incorporated into wall brackets
- (1) 28" ladder style towel bar with knob on backside & (1) back to back knob
- Dual water diverter sets (aluminum and polycarbonate)
- Standard clear 5/16" (8mm) tempered glass with optional rain tempered glass
- Enduroshield coating to reduce cleaning time by up to 90%



## FINISHES



Chrome

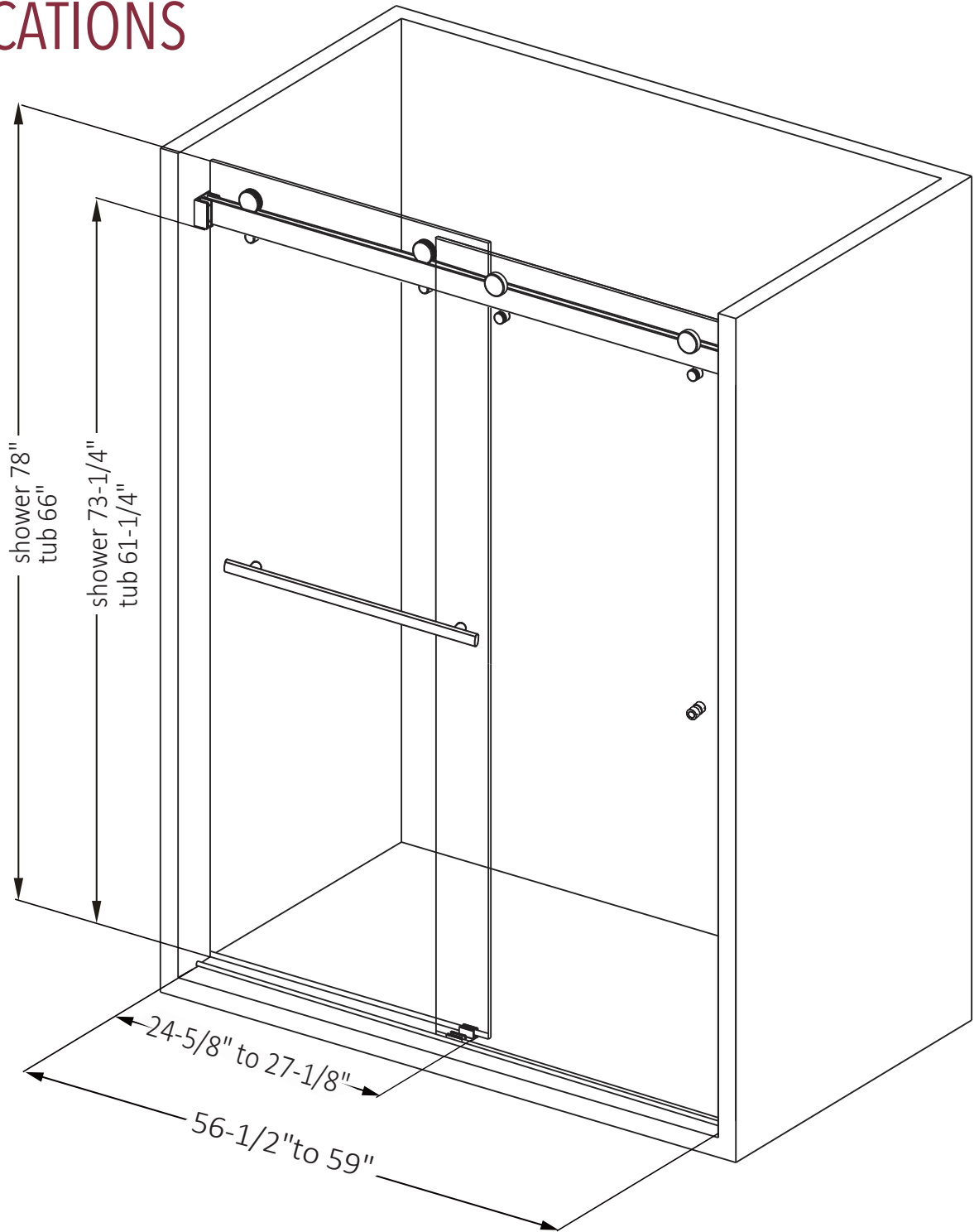


Matte Black



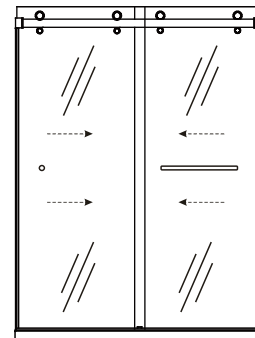
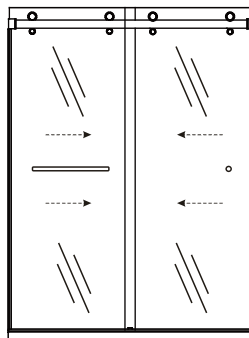
Brushed Nickel

# SPECIFICATIONS

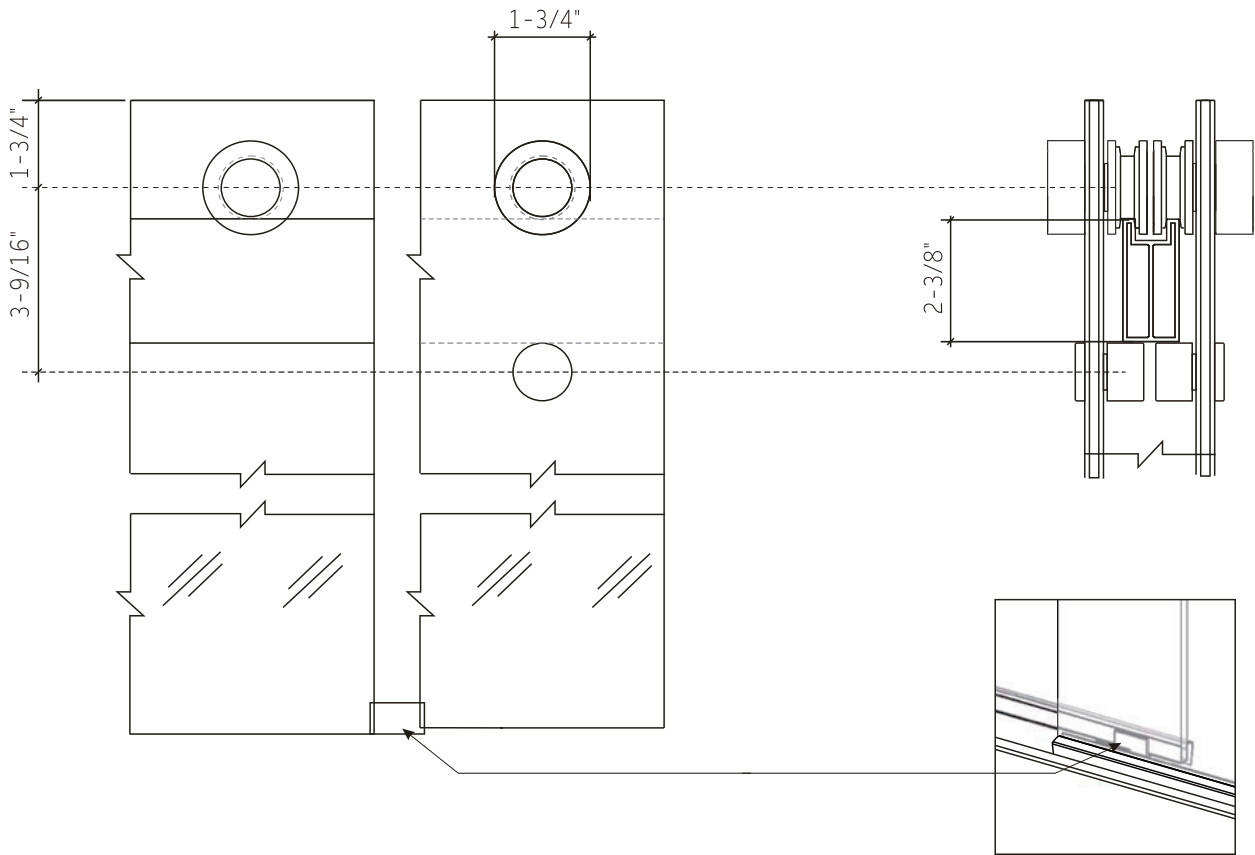


## CONFIGURATIONS

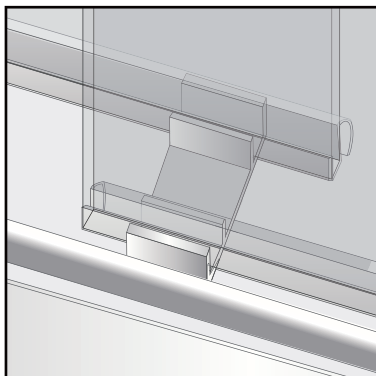
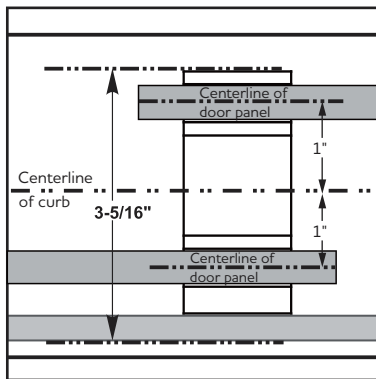
exterior or interior door capability



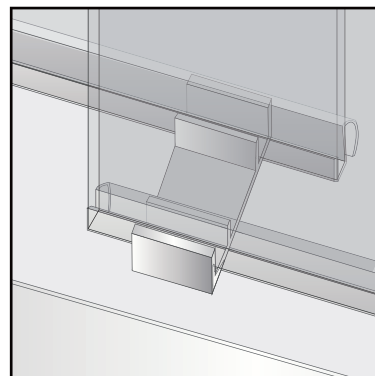
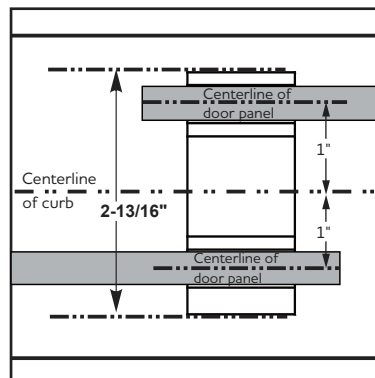
# SPECIFICATIONS



**FOOTPRINT USING ALUMINUM WATER GUARD**



**FOOTPRINT WITHOUT USING ALUMINUM WATER GUARD**



# PARTS LIST

- |                  |                          |
|------------------|--------------------------|
| 1) wall bracket  | 7) towel bar             |
| 2) safety bumper | 8) door panel            |
| 3) track         | 9) knob                  |
| 4) roller        | 10) bottom guide         |
| 5) anti-lift pin | 11) aluminum water guard |
| 6) bulb/V seal   | 12) sweep seal           |

