

# eurotech

LUXURY SHOWER DOORS

## ISABELLA

TWINGLIDE FRAMELESS DUAL SLIDING SHOWER DOOR



### **Eurotech Showers**

23532 Commerce Center Dr  
Building B  
Laguna Hills, CA 92653  
949-716-4099  
[eurotechshowers.com](http://eurotechshowers.com)

SUPER EASY INSTALL

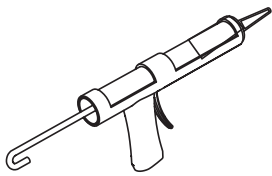


eurotech  
LUXURY SHOWER DOORS

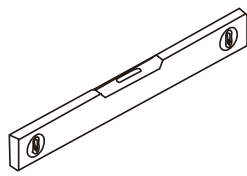


HARDWARE PRE-CUT TO FIT 57" TO 59" WIDE OPENINGS

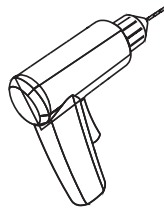
## Tools Required



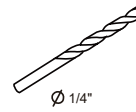
Silicone



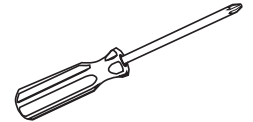
Level



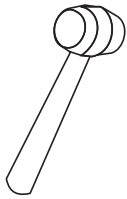
Drill



Masonry Bit



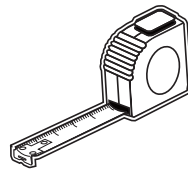
Screwdriver  
(Phillips)



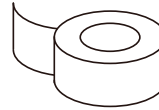
Mallet



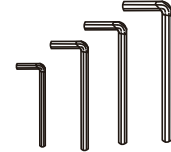
Pencil



Tape Measurer



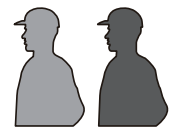
Painters  
Tape



Allen Wrenches  
(included)

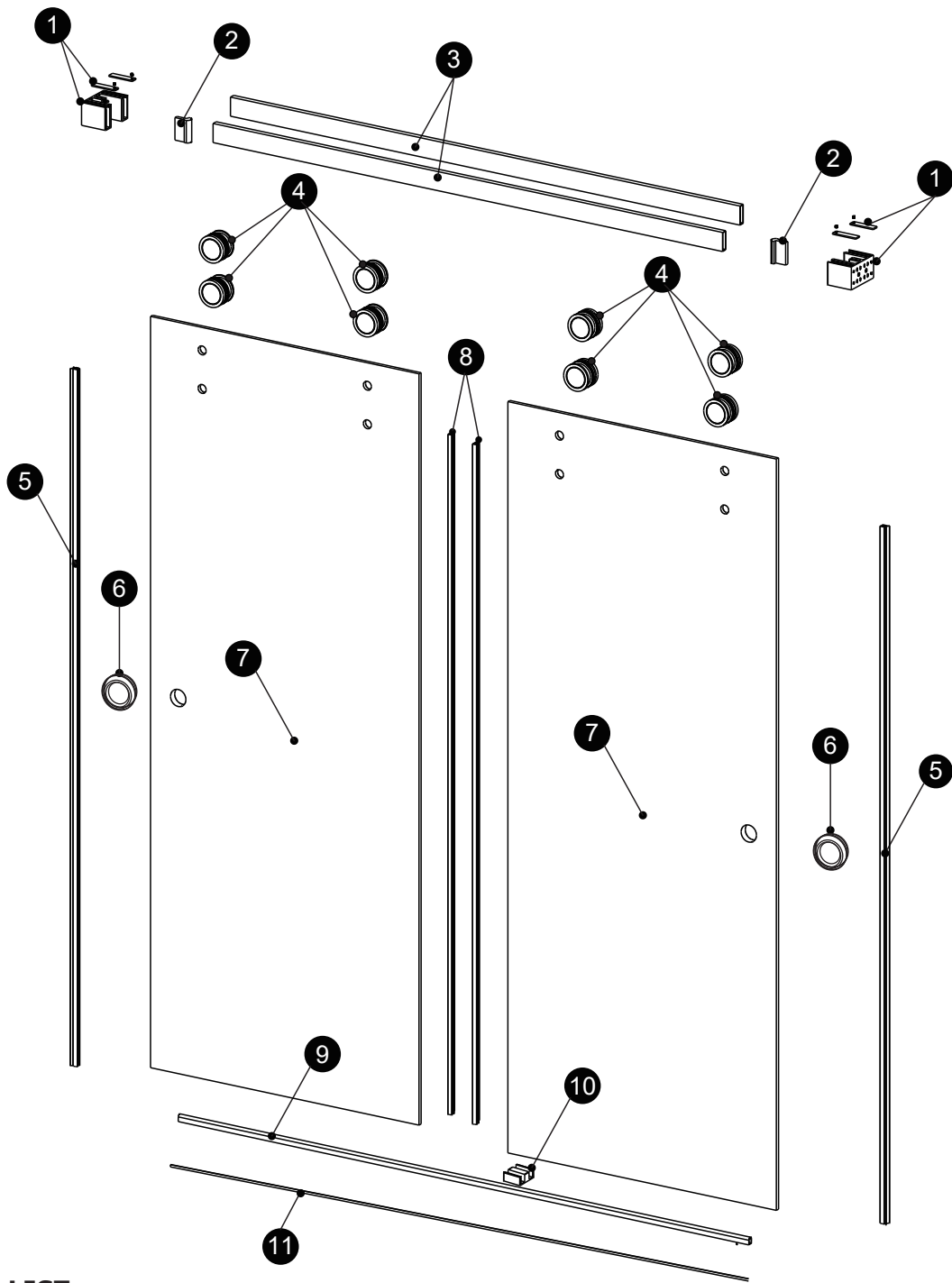


This product is heavy and may require two people to install.



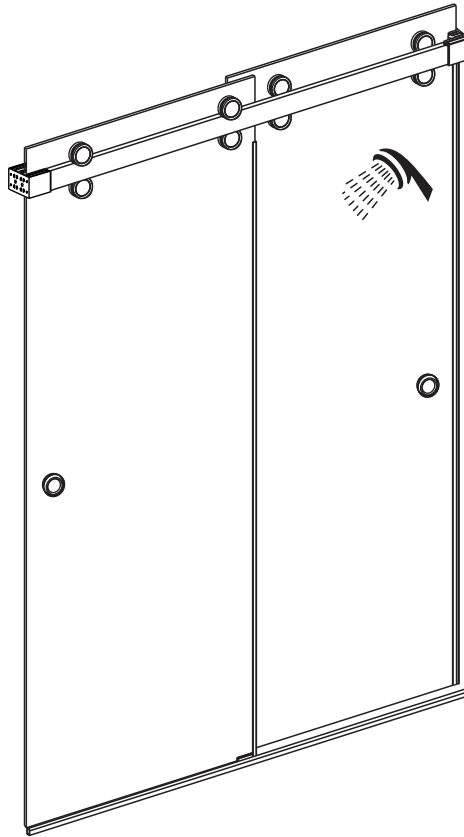
*Congratulations on your purchase of your Eurotech Shower door, making your shower dreams come to life.*

◆ Assembly Drawing

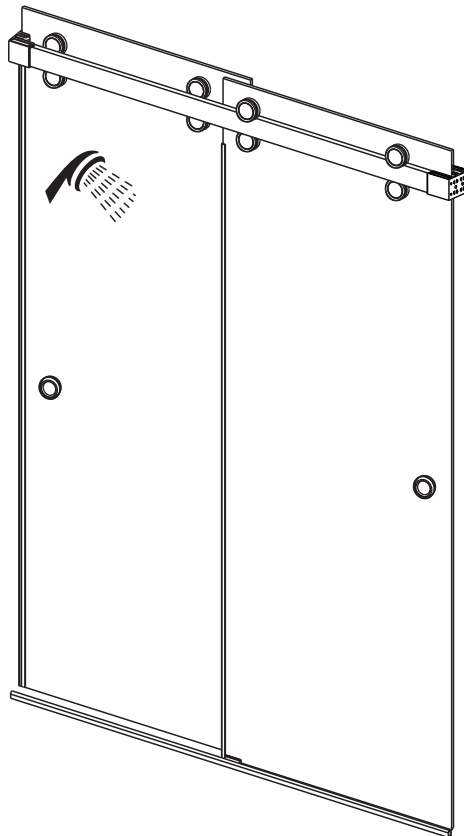


**PACKING LIST**

PART #	DESCRIPTION	Q'TY	PART #	DESCRIPTION	Q'TY
1	Wall Bracket	2pcs	7	Door Panel	2pcs
2	Safety Bumper	2pcs	8	F Seal	2pcs
3	Track	2pcs	9	Aluminium Water Guard	1pc
4	Roller	8pcs	10	Glass Guide	1pc
5	V Seal	2pcs	11	L Seal	1pc
6	Handle	2pcs			



Configuration 1

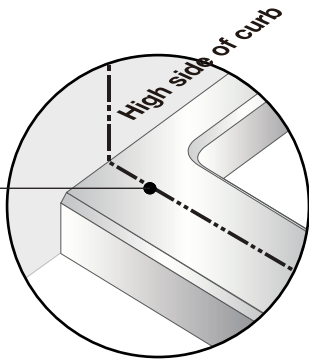
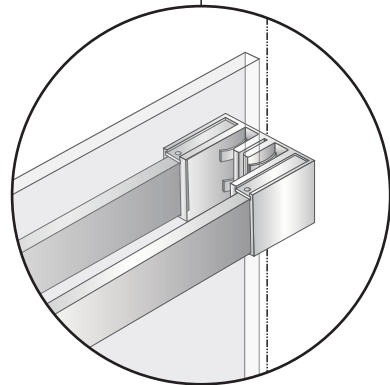
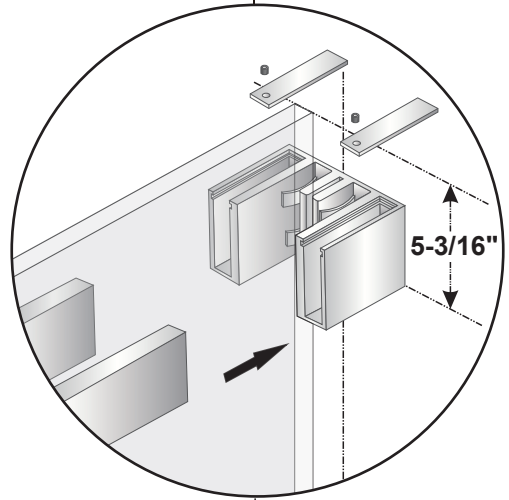
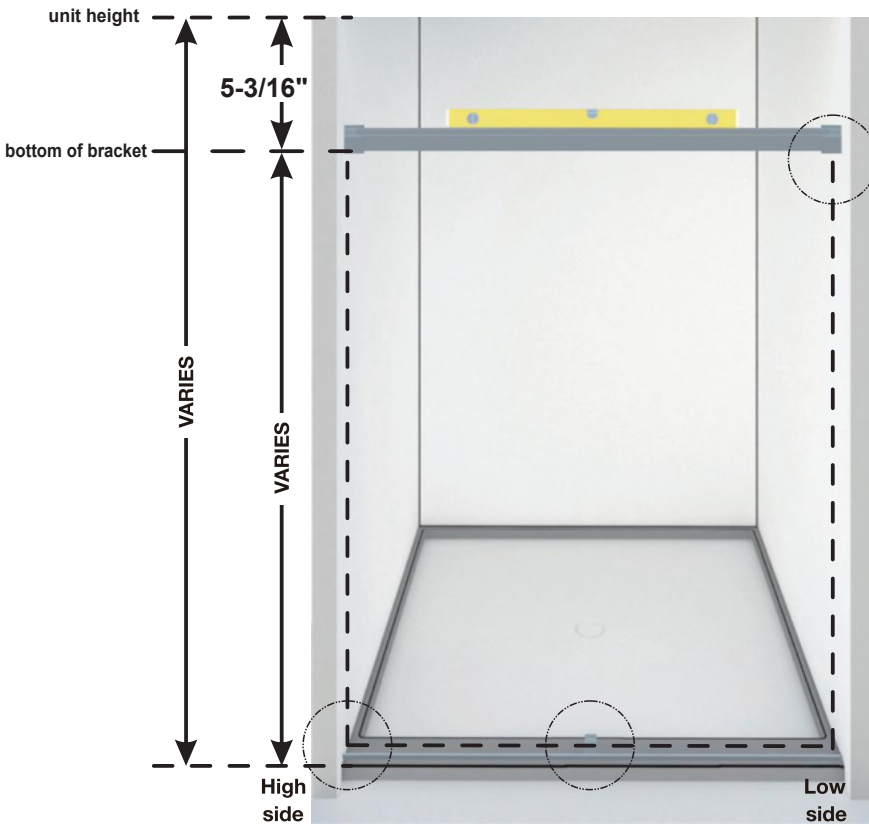


Configuration 2

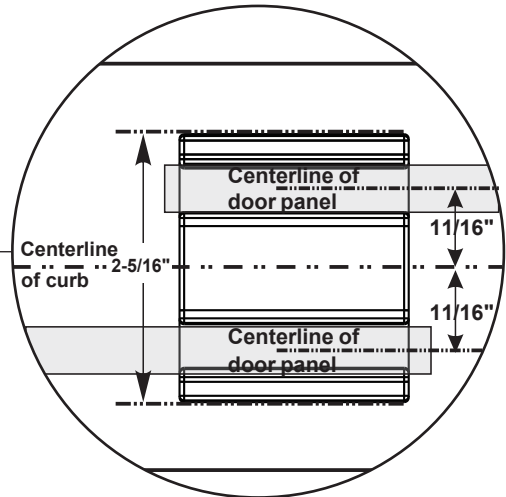
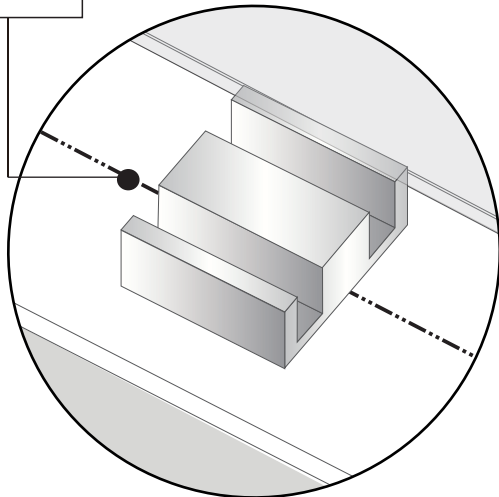


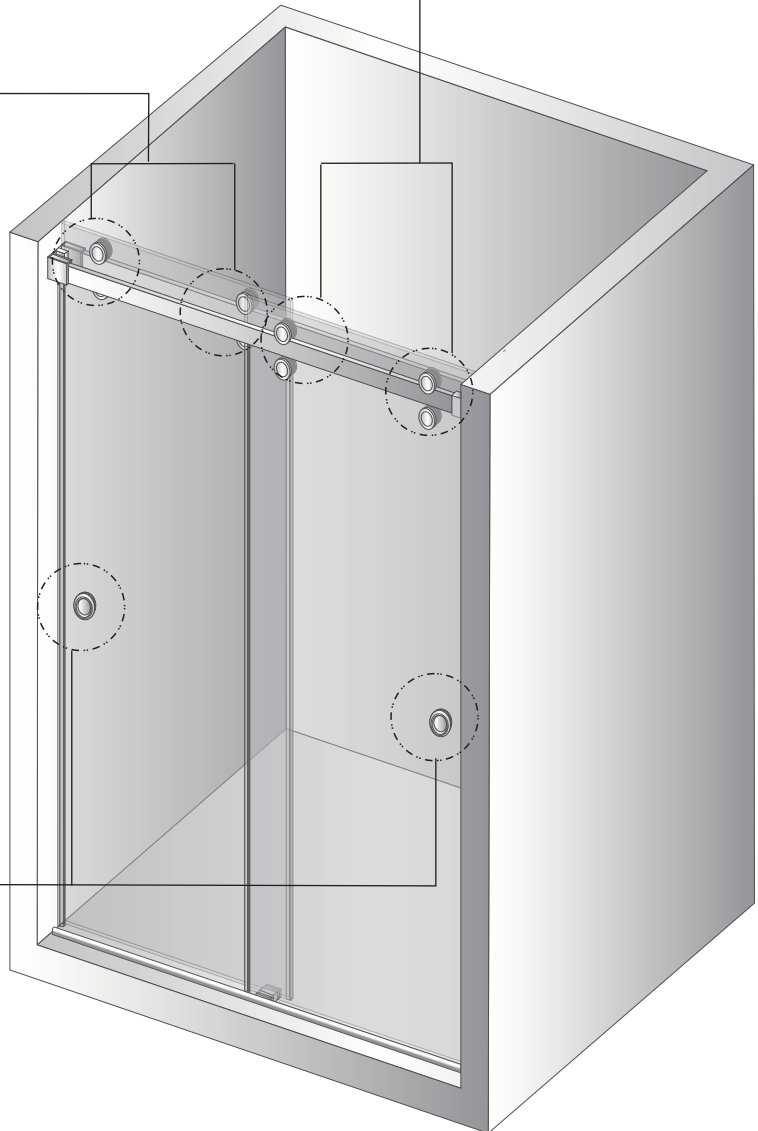
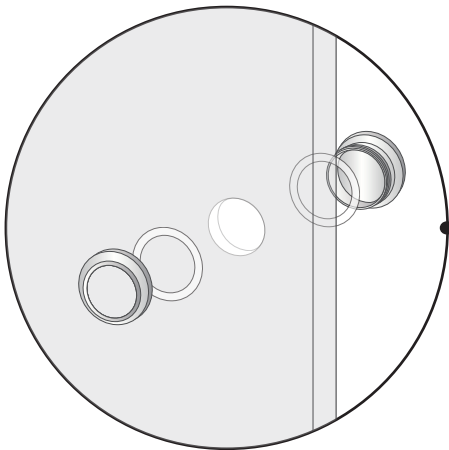
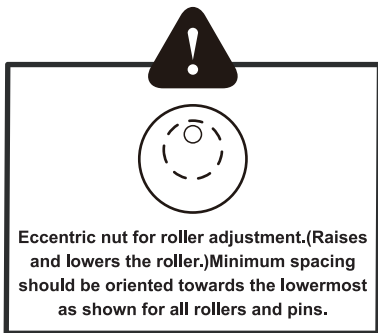
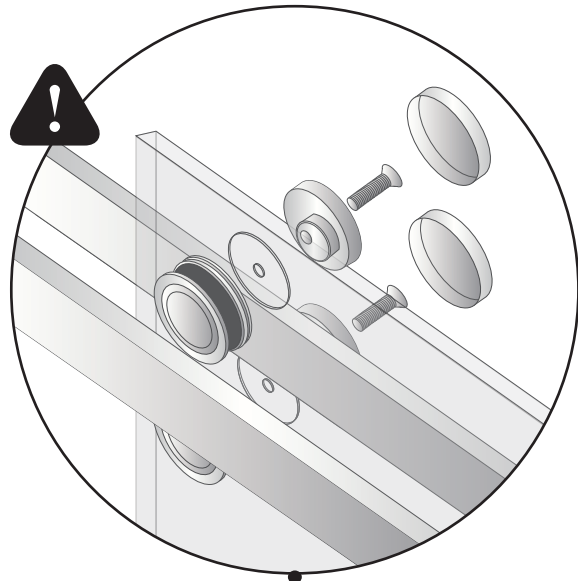
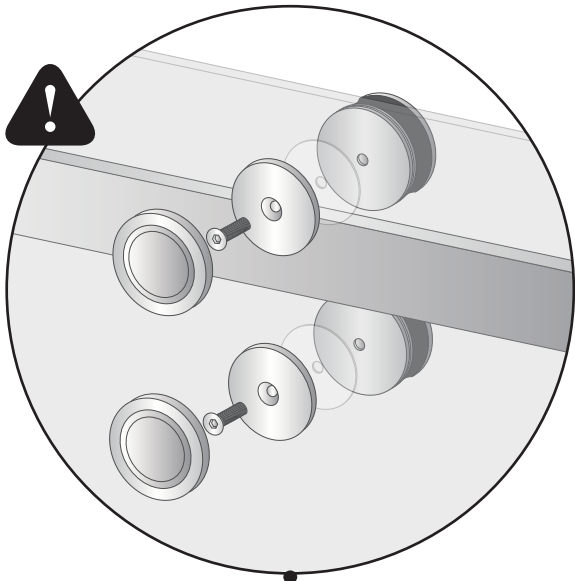
(This Configurations is illustrated in this Manual)

Bar Installation: Mount wall bracket on **high side** of curb first. Level bar to mark opposite wall for second wall bracket.



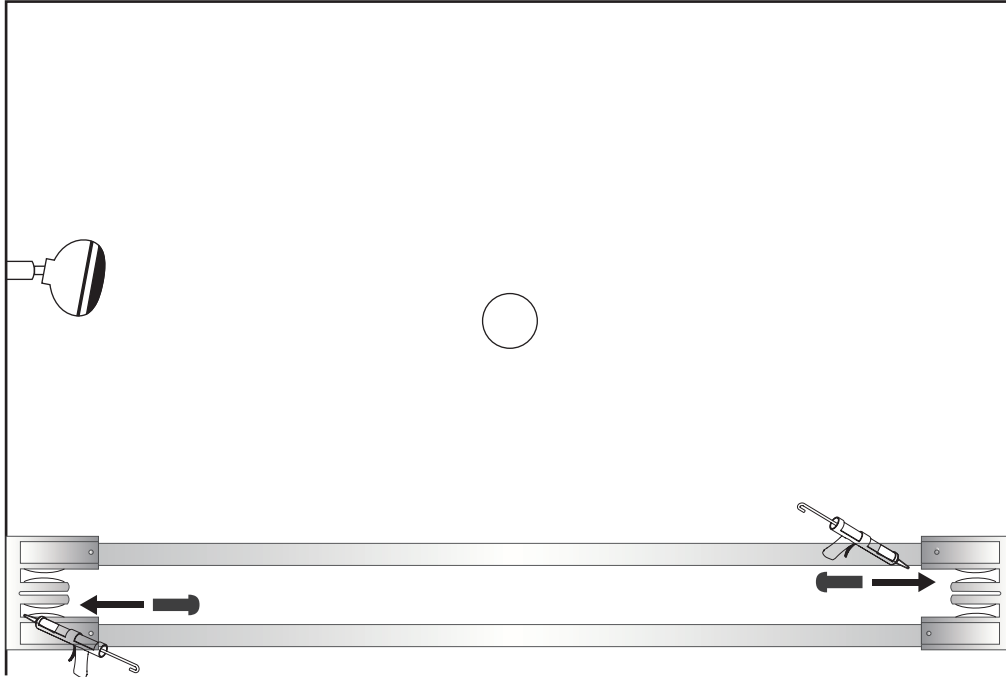
Centerline of curb



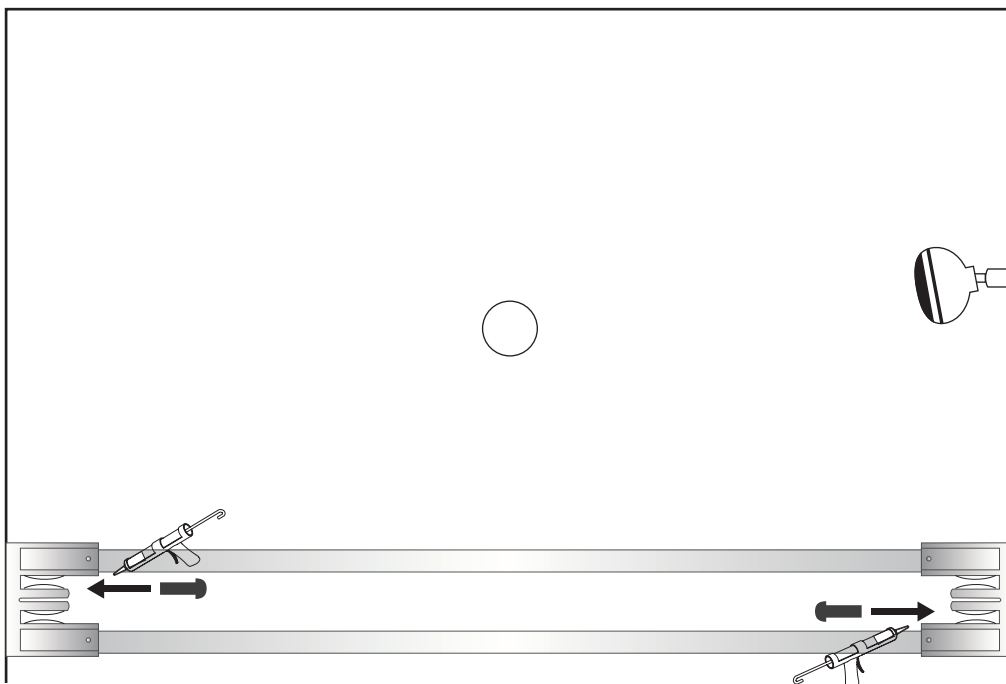


## ◆ Safety Bumper Page

For configurations with shower head to the left insert safety bumpers into wall brackets as shown



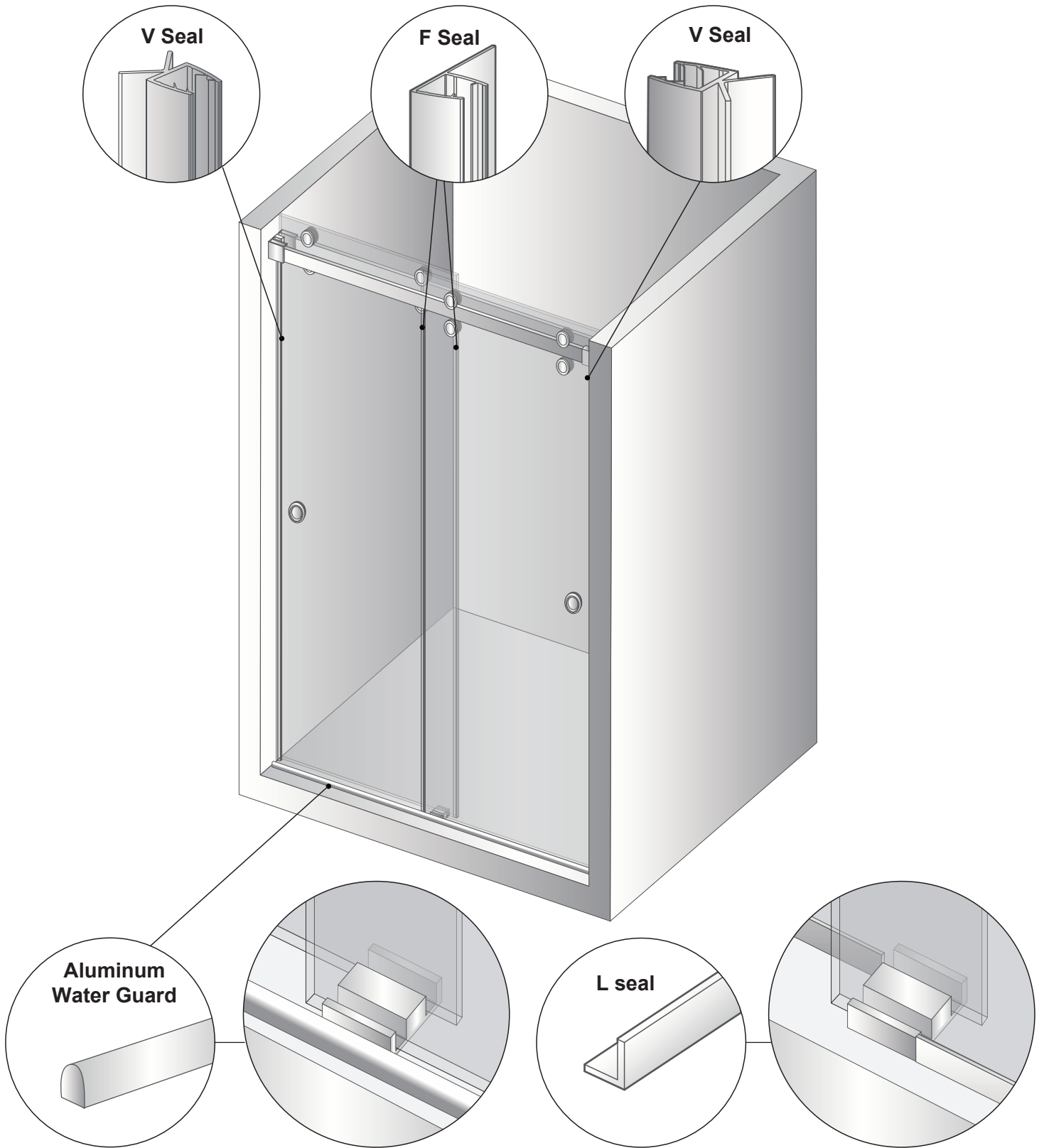
For configurations with shower head to the right insert safety bumpers into wall brackets as shown



**DO NOT OPERATE DOORS WITHOUT SAFETY BUMPERS AND SEALS PROPERLY INSTALLED**



◆ Seal Page



Preferred method: aluminum water guard

Optional method: polycarbonate L-seal

**DO NOT OPERATE DOORS WITHOUT SAFETY BUMPERS AND SEALS PROPERLY INSTALLED**