

eurotech

LUXURY SHOWER DOORS

VITRA-200

CONTRACTORS SELECT FRAMELESS DUAL SLIDING SHOWER DOOR



Eurotech Showers

23532 Commerce Center Dr.,
Building B
Laguna Hills, CA 92653
949-716-4099
eurotechshowers.com

SUPER EASY INSTALL



eurotech
LUXURY SHOWER DOORS



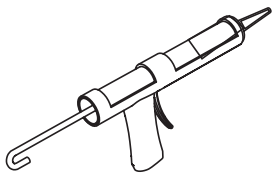
outside door right



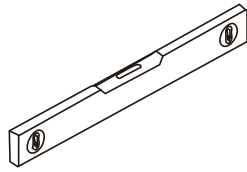
outside door left

HARDWARE FITS UP TO 60" WIDE OPENING

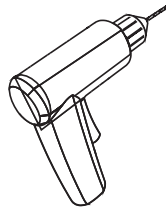
Tools Required



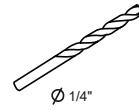
Silicone



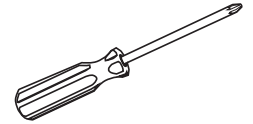
Level



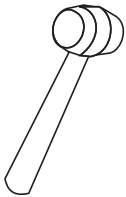
Drill



Masonry Bit



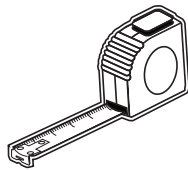
Screwdriver
(Phillips)



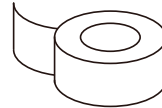
Mallet



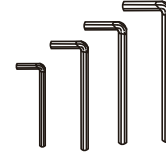
Pencil



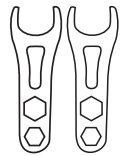
Tape Measurer



Painters
Tape



Allen Wrenches
(included)



Wrenches
(included)

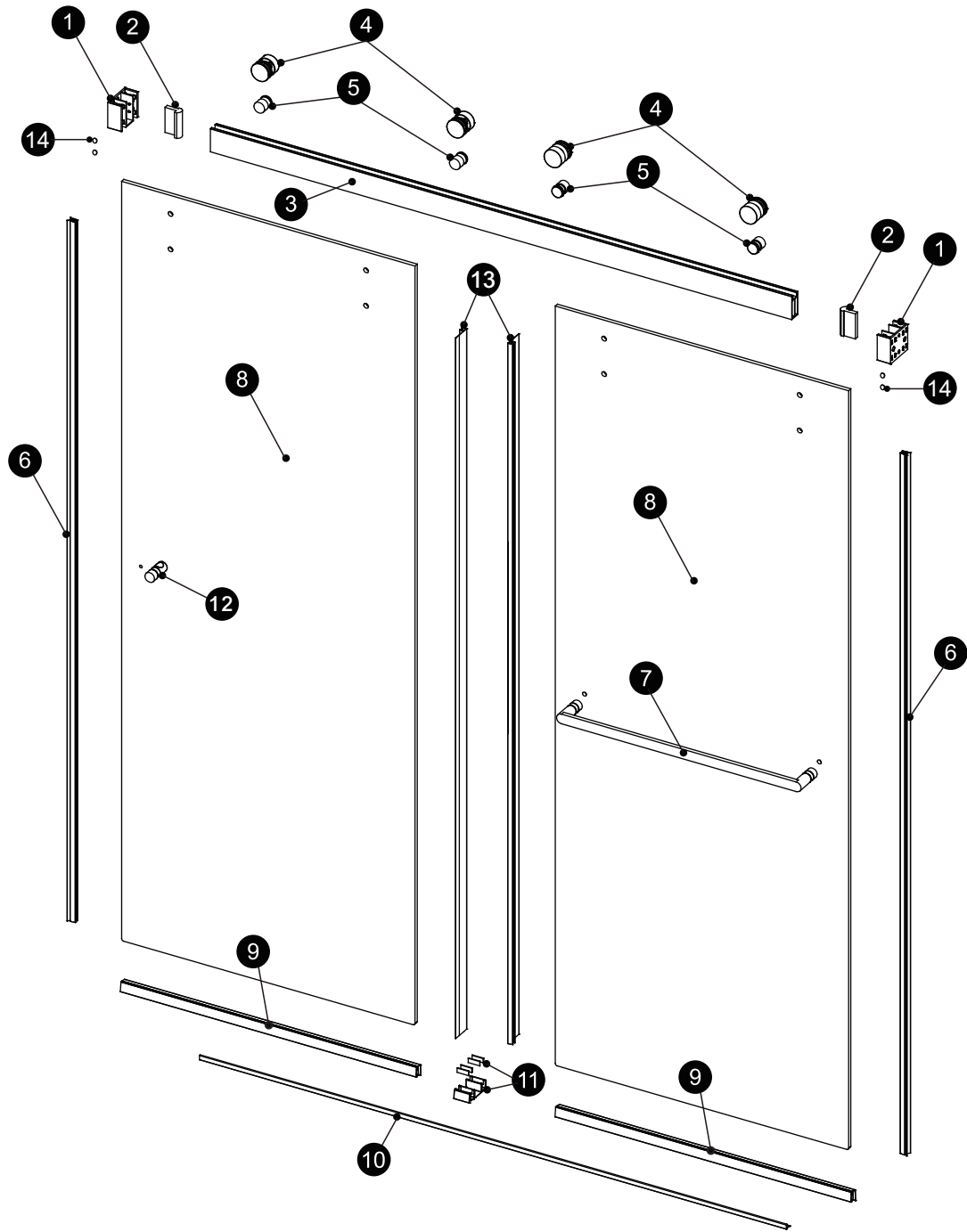


This product is heavy and may require two people to install.



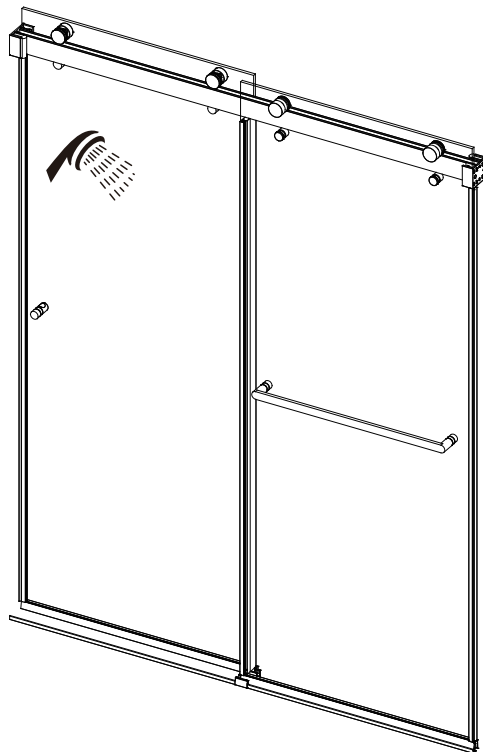
Congratulations on your purchase of your Eurotech Shower door, making your shower dreams come to life.

◆ Assembly Drawing



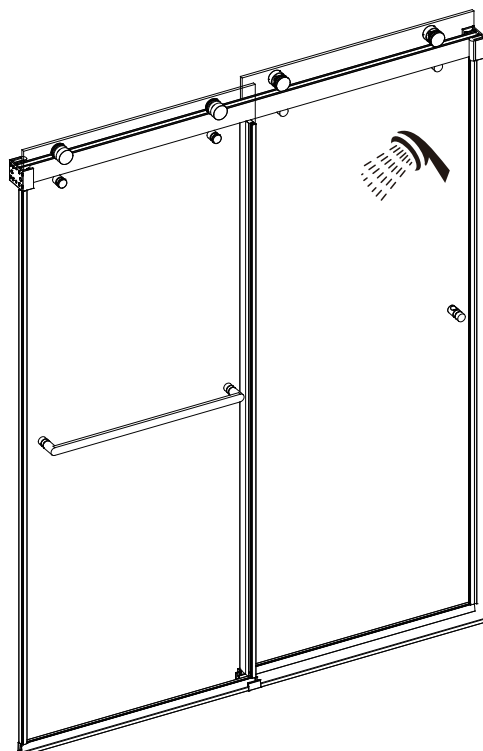
PACKING LIST

PART #	DESCRIPTION	Q'TY	PART #	DESCRIPTION	Q'TY
1	Wall Bracket	2pcs	8	Door Panel	2pcs
2	Safety Bumper	2pcs	9	Bottom Slip-on Seal	2pcs
3	Track	1pc	10	Aluminium Water Guard	1pc
4	Roller	4pcs	11	Glass Guide	1pc
5	Anti-Lift Pins	4pcs	12	Knob	1pc
6	V Seal	2pcs	13	F-seal	2pcs
7	Towel Bar	1pc	14	Wall Bracket Caps	4pcs



outside door right

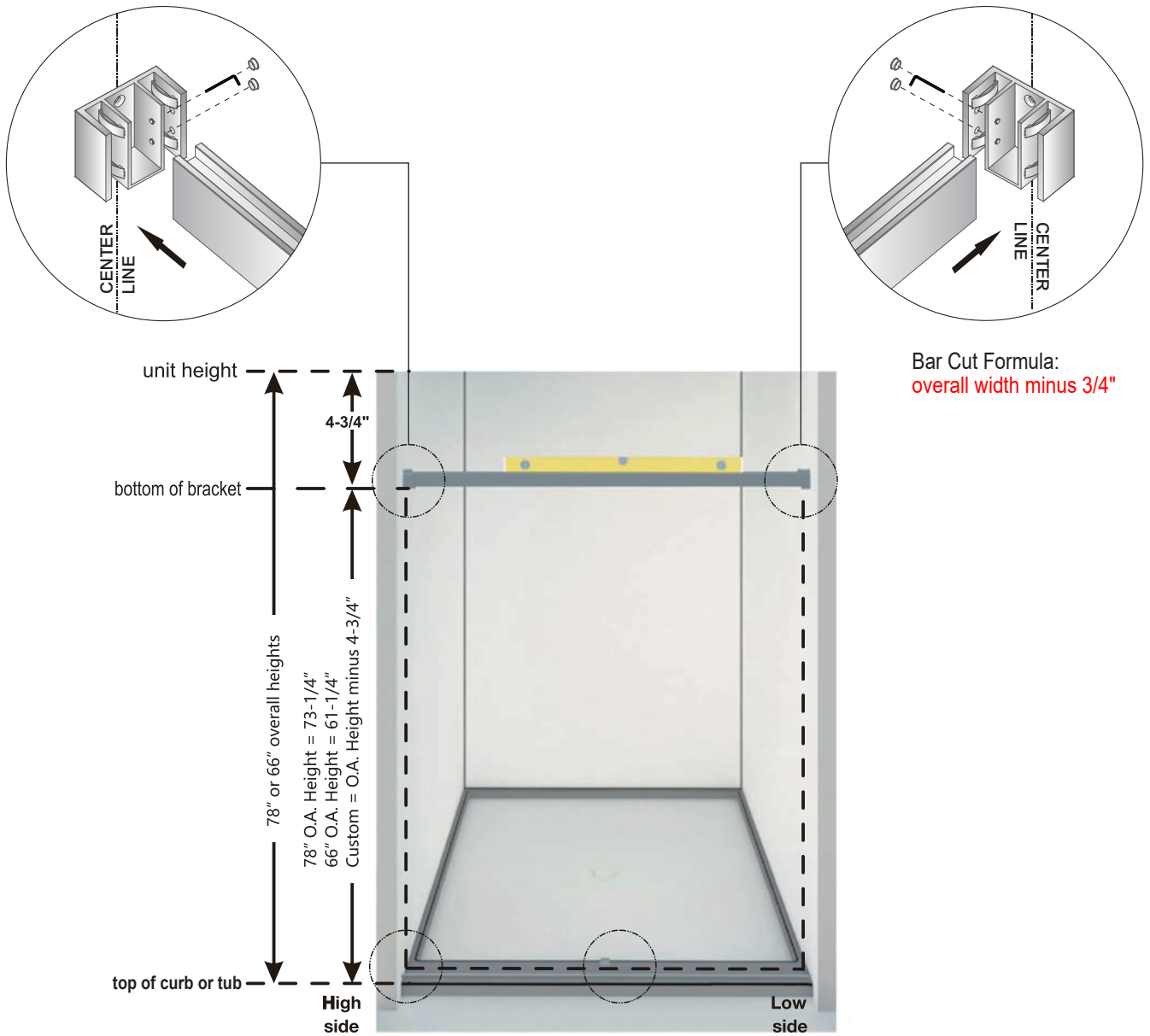
Configuration 1



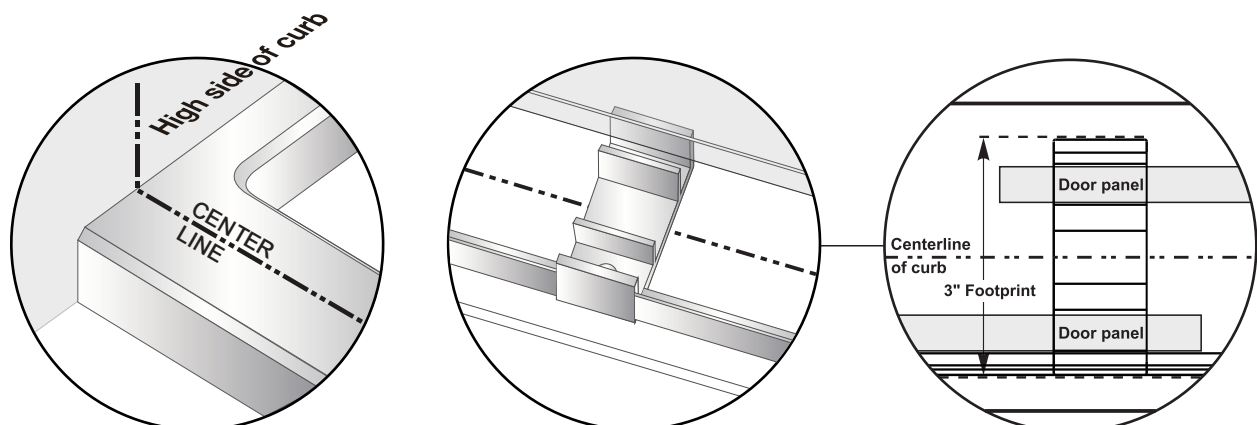
outside door left

Configuration 2

Bar Installation: Mount wall bracket on **high side** first. Level bar to mark opposite wall for second wall bracket.

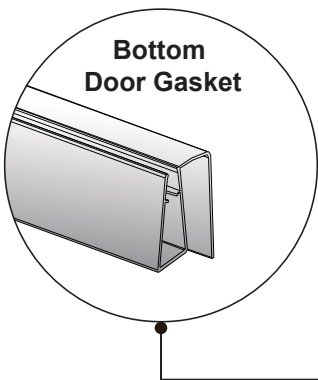
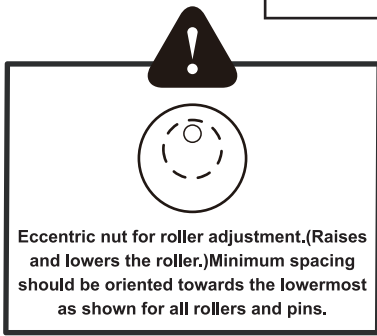
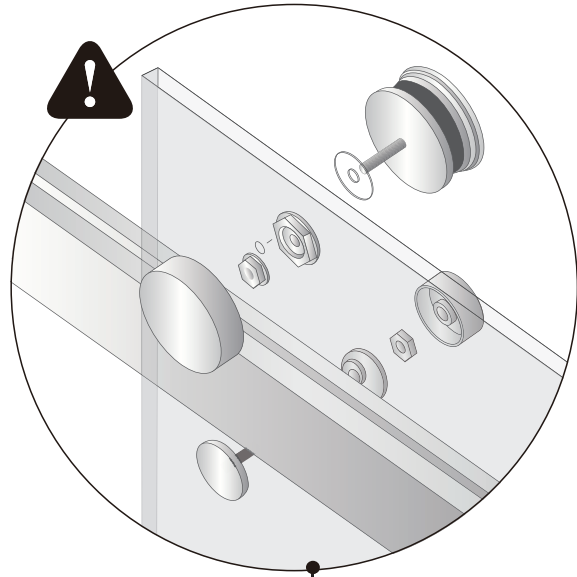
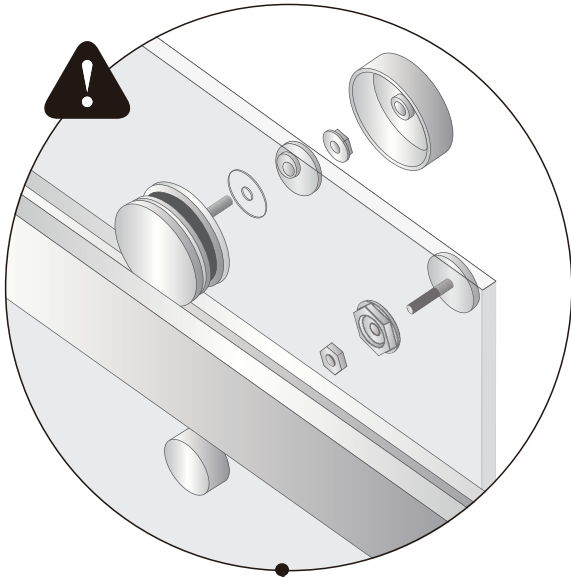


Bottom Guide and Water Guard Installation: center bottom guide between walls and curb depth, install aluminum water guard



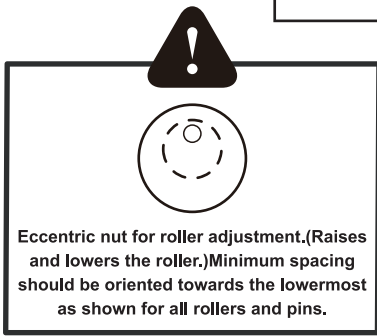
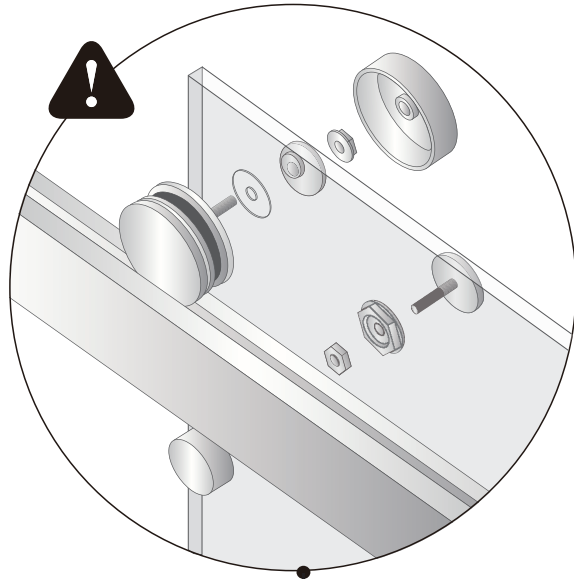
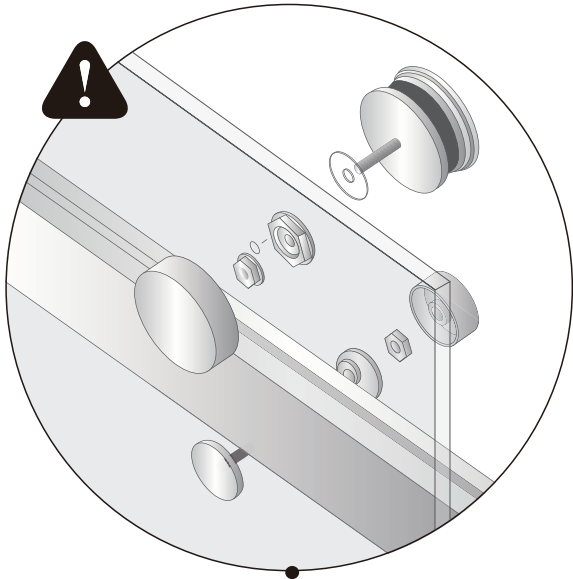
Aluminum Water Guard Cut Formula:
overall width minus 1/16"

outside door right

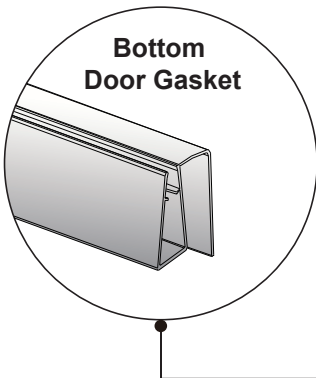


note: install prior to hanging doors

outside door left

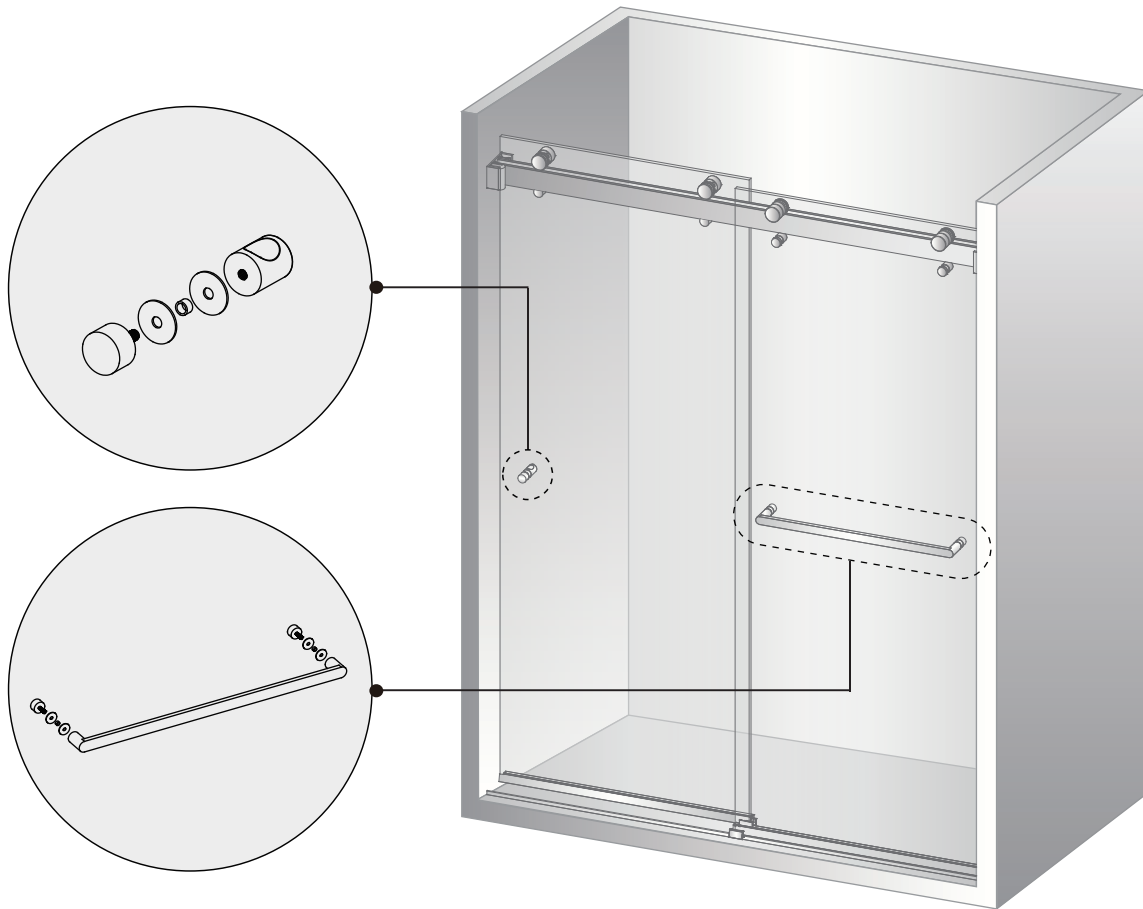


Eccentric nut for roller adjustment. (Raises and lowers the roller.) Minimum spacing should be oriented towards the lowermost as shown for all rollers and pins.

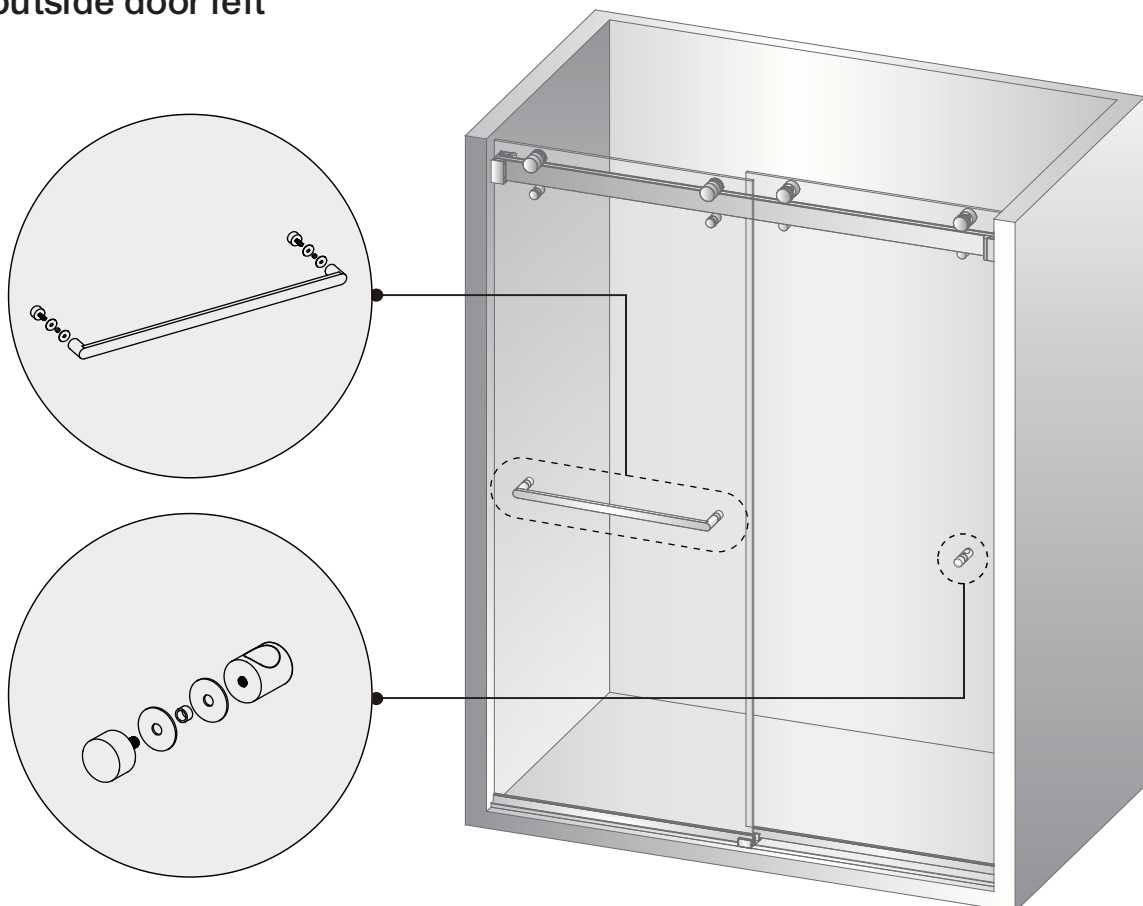


note: install prior to hanging doors

outside door right

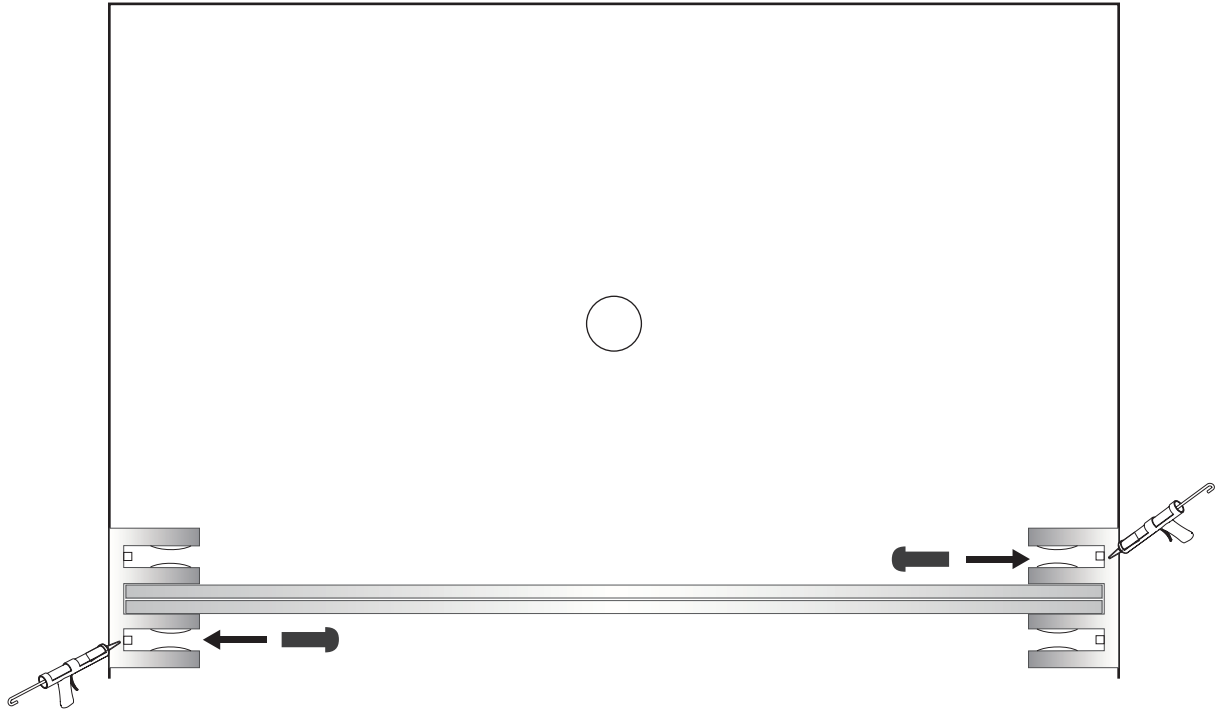


outside door left

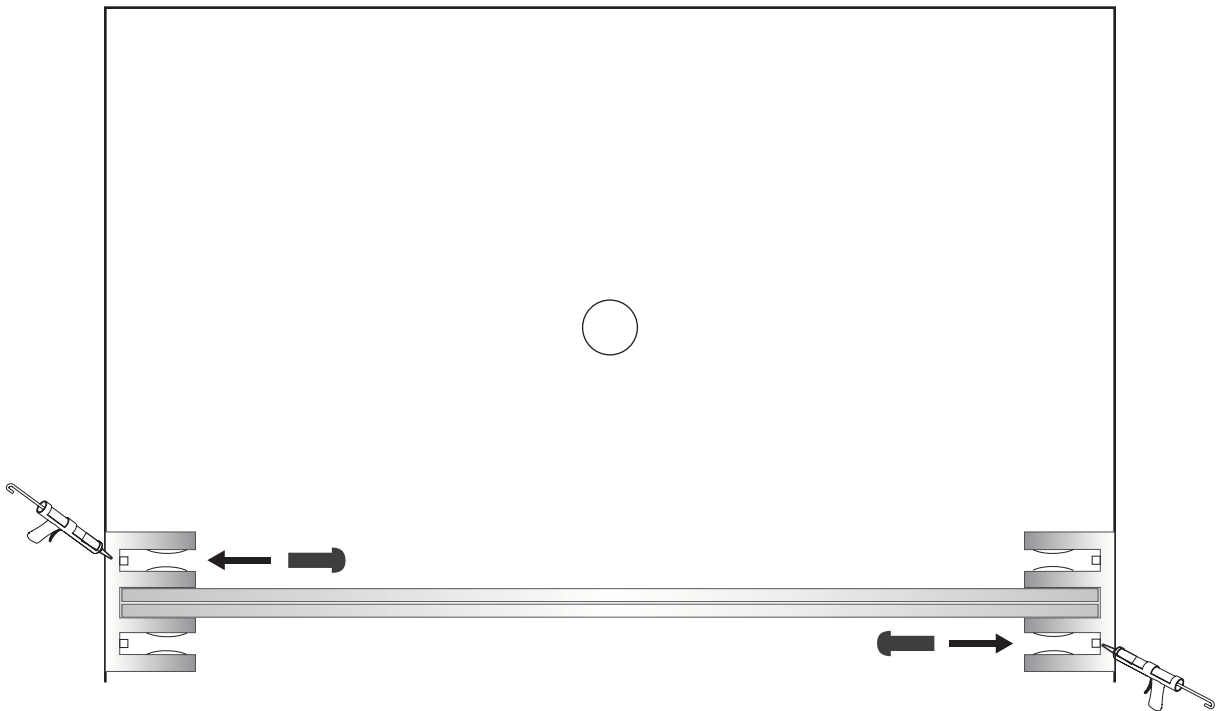


◆ Safety Bumper Page

For outside door right insert safety bumpers into wall brackets as shown



For outside door left insert safety bumpers into wall brackets as shown



DO NOT OPERATE DOORS WITHOUT SAFETY BUMPERS AND SEALS PROPERLY INSTALLED



DO NOT OPERATE DOORS WITHOUT SAFETY BUMPERS AND SEALS PROPERLY INSTALLED