

# eurotech

LUXURY SHOWER DOORS

## VITRA-100

CONTRACTORS SELECT FRAMELESS SINGLE SLIDING SHOWER DOOR



**Eurotech Showers**

23532 Commerce Center Dr.,

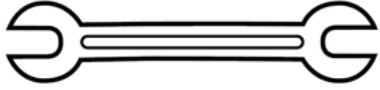
Building B

Laguna Hills, CA 92653

949-716-4099

[eurotechshowers.com](http://eurotechshowers.com)

SUPER EASY INSTALL



eurotech  
LUXURY SHOWER DOORS

## OUTSIDE DOOR LEFT/RIGHT INSTALLATION INSTRUCTIONS



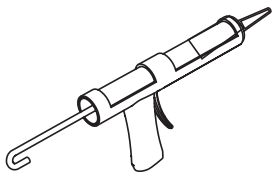
outside door left



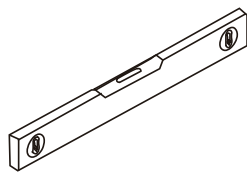
outside door right

FIT 56" TO 59-1/4" WIDE OPENINGS

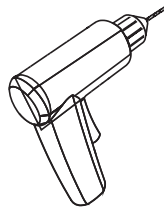
## Tools Required



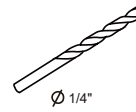
Silicone



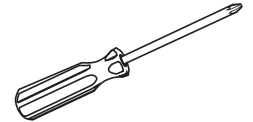
Level



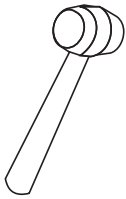
Drill



Masonry Bit



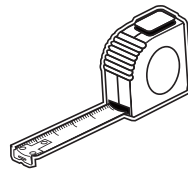
Screwdriver  
(Phillips)



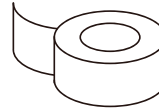
Mallet



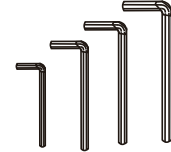
Pencil



Tape Measurer



Painters  
Tape



Allen Wrenches  
(included)

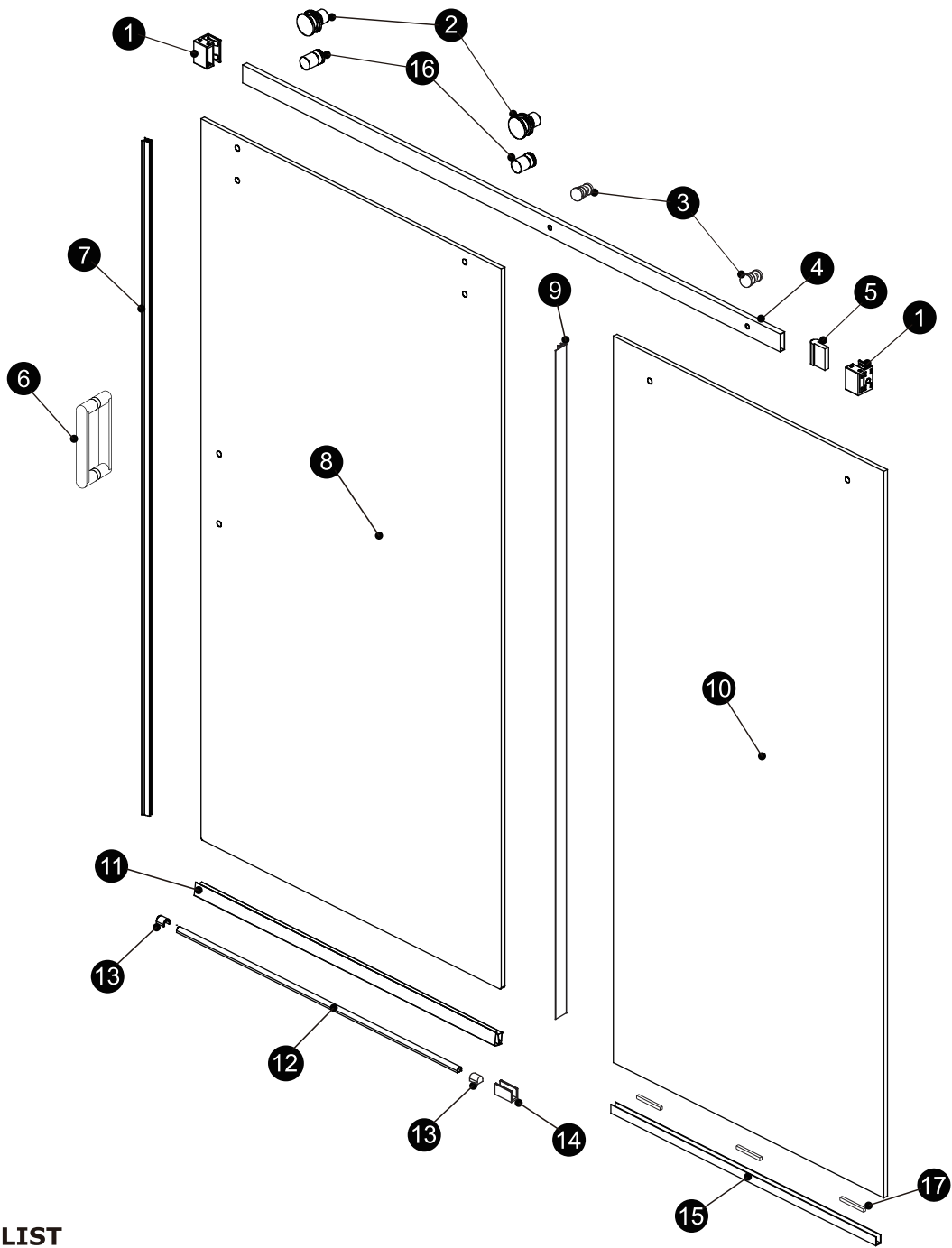


This product is heavy and may require two people to install.



*Congratulations on your purchase of your Eurotech Shower door, making your shower dreams come to life.*

◆ Assembly Drawing



PACKING LIST

PART #	DESCRIPTION	Q'TY	PART #	DESCRIPTION	Q'TY
1	Wall Bracket	2pcs	10	Fixed Panel	1pc
2	Roller	2pcs	11	Bottom Slip-on Seal	1pc
3	Fixed Panel Holders	2pcs	12	Aluminium Water Guard	1pc
4	Track	1pc	13	End Block	2pcs
5	Safety Bumper	1pc	14	Bottom Guide	1pc
6	Handle	1pc	15	Aluminium Bottom U Channel	1pc
7	V Seal	1pc	16	Anti-Lift Pins	2pcs
8	Door Panel	1pc	17	Cushions	3pcs
9	F Seal	1pc			

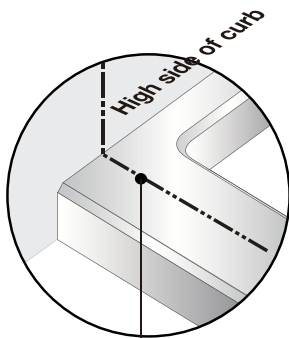
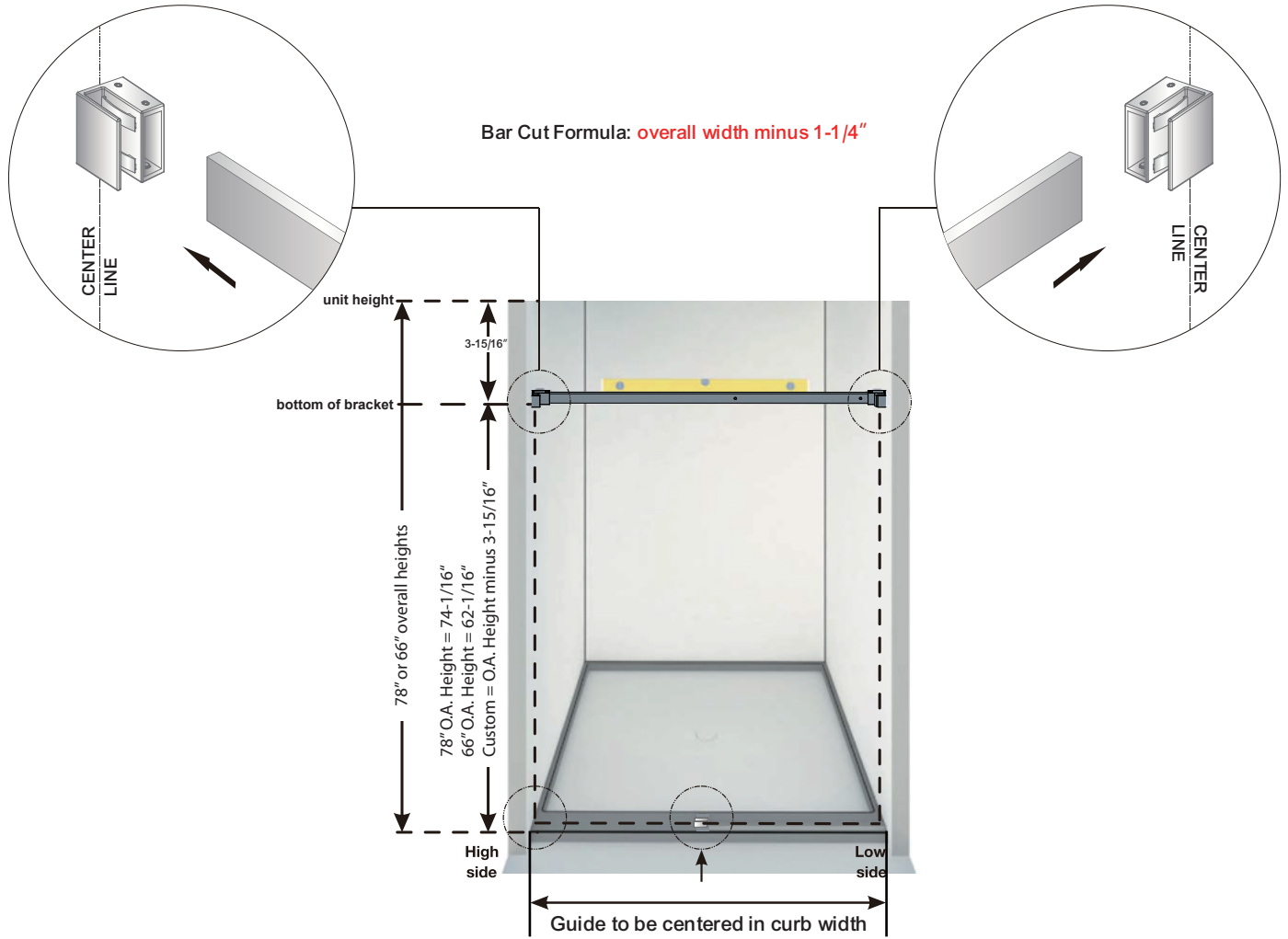


outside door left

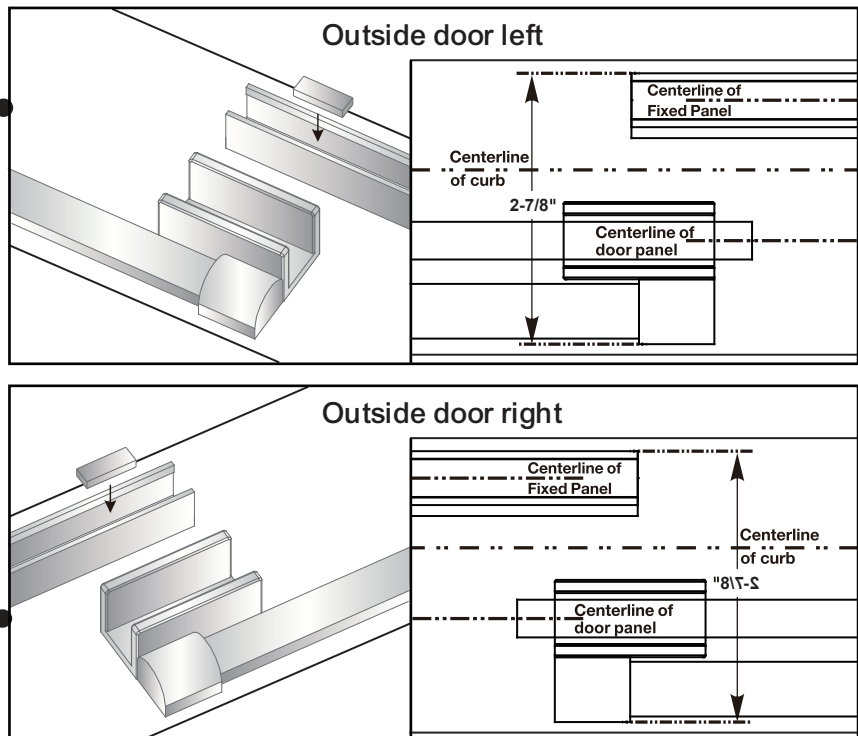


outside door right

Bar Installation: Mount wall bracket on high side of curb first. Level bar to mark opposite wall for second wall bracket.

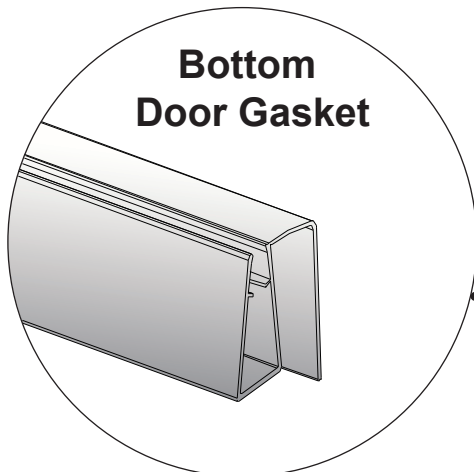
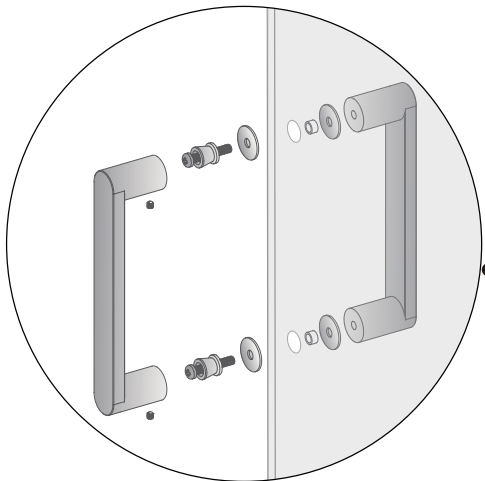
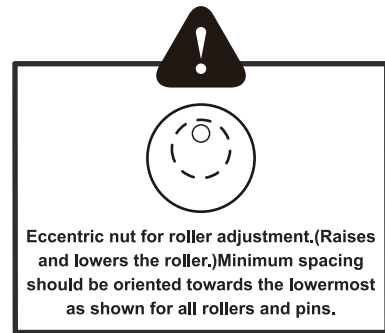
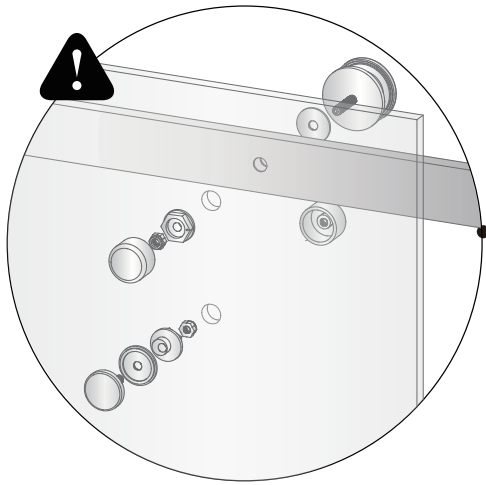
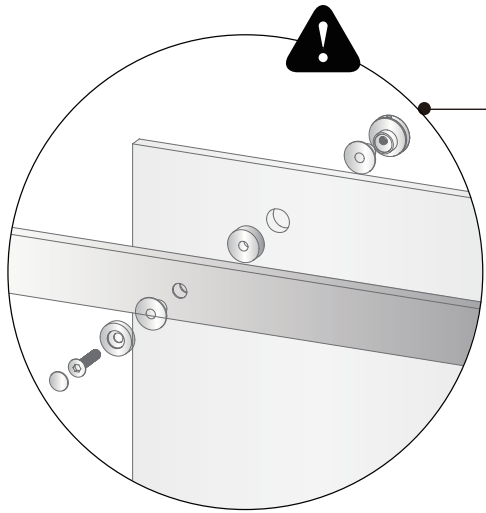


Centerline of curb



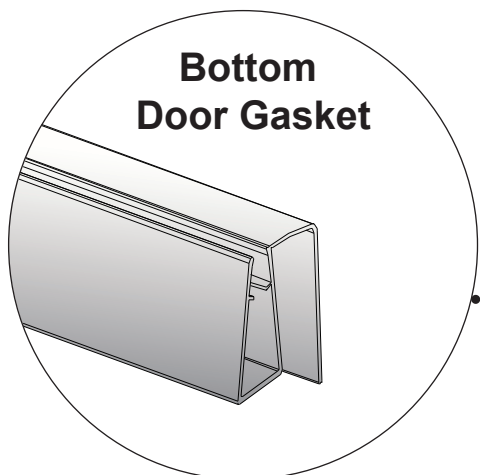
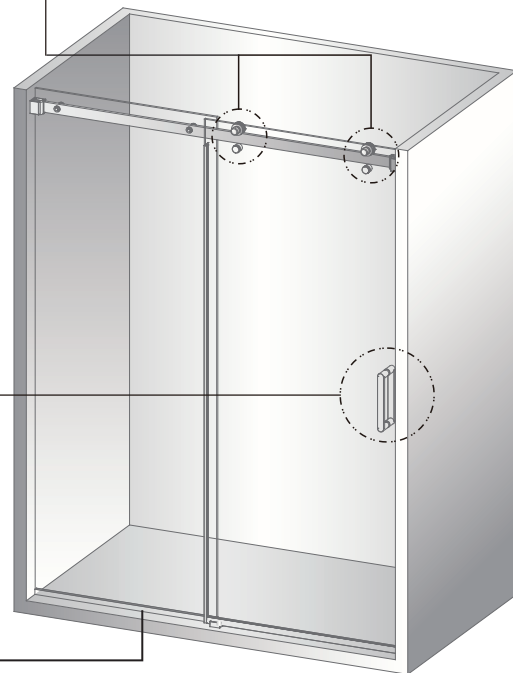
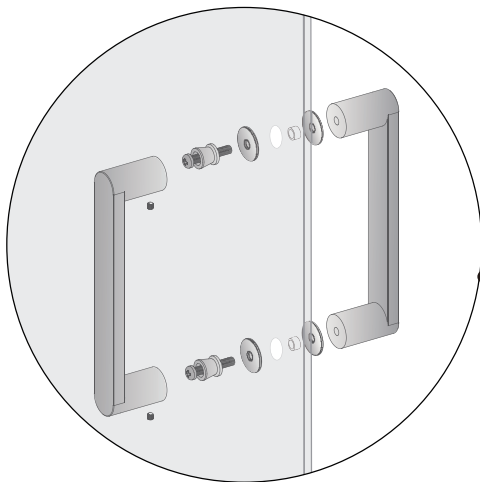
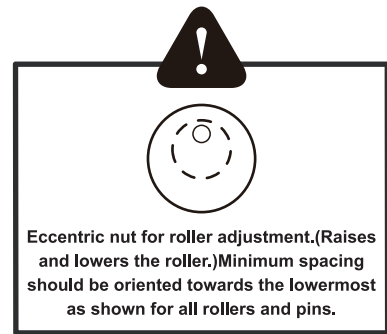
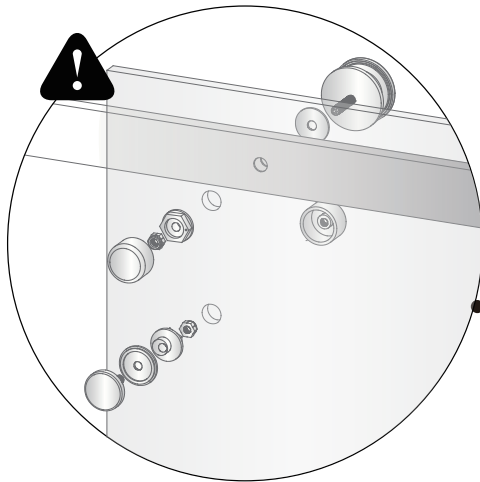
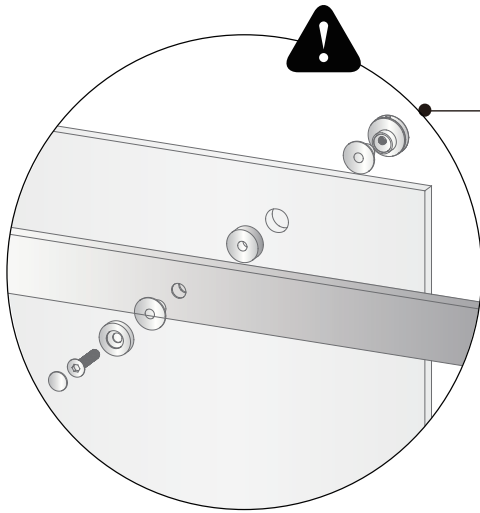
Aluminum Water Guard Cut Formula: centerline of curb width plus 7/16"

Outside door left



note: install prior to hanging doors

Outside door right

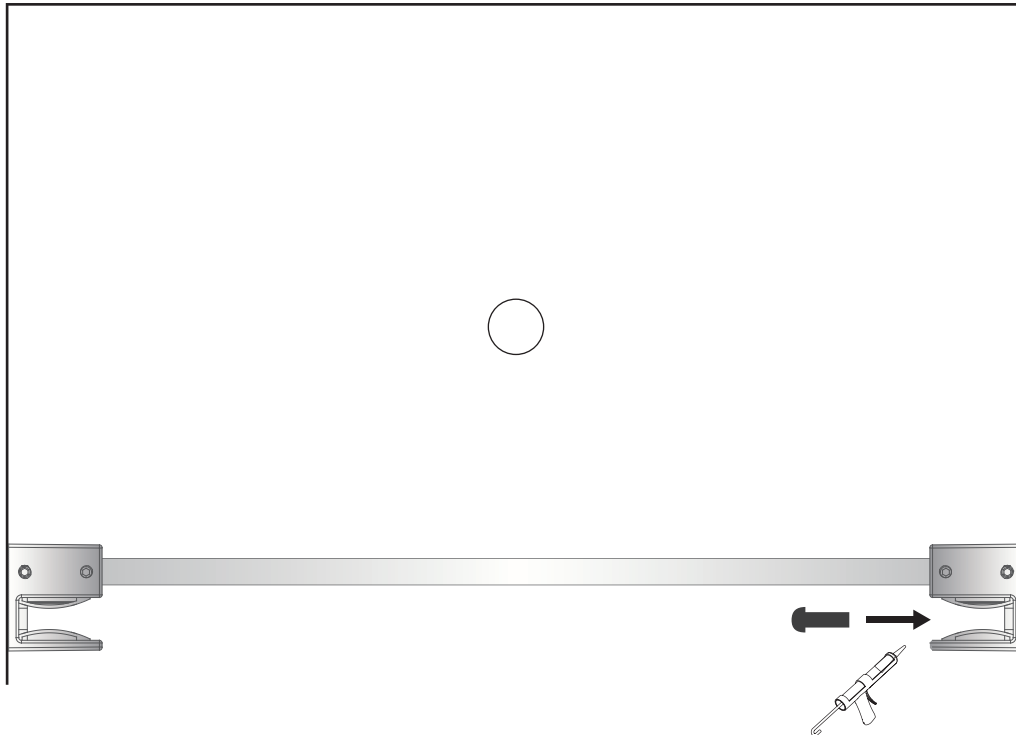


note: install prior to hanging doors

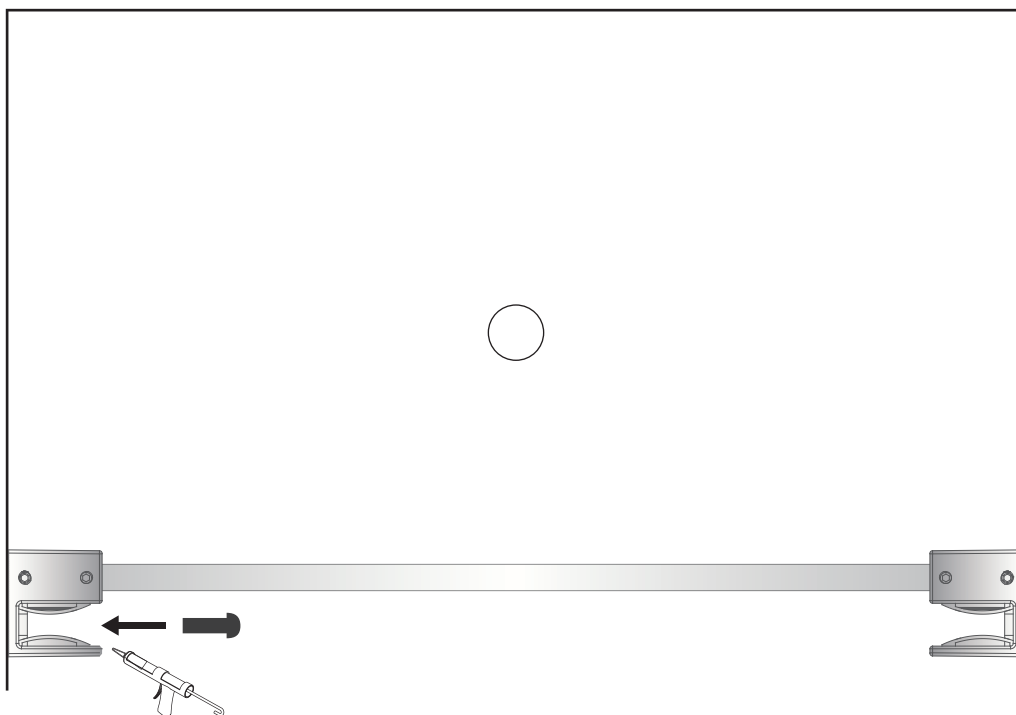


## ◆ Safety Bumper Page

For outside door left insert safety bumpers into wall brackets as shown

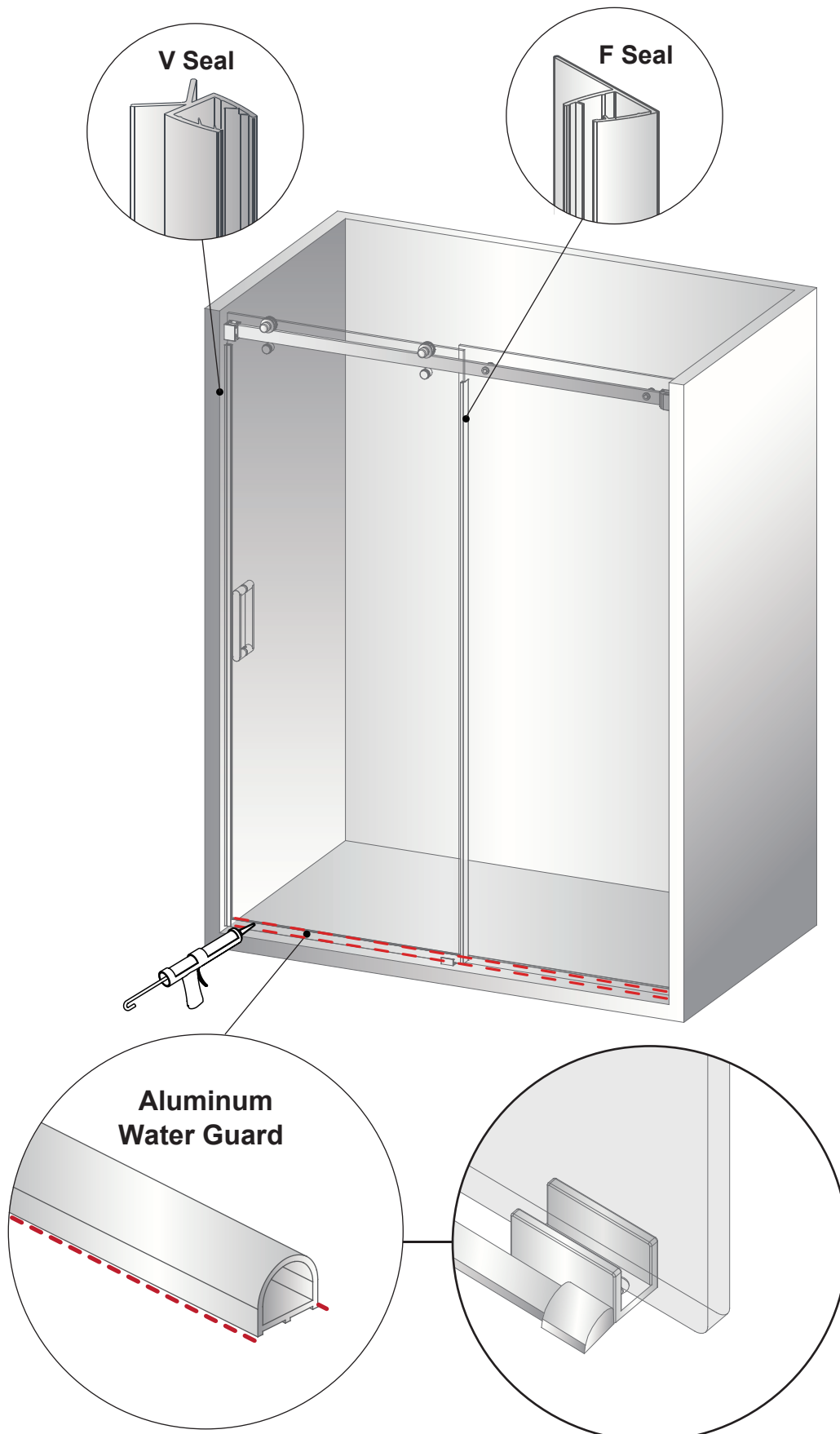


For outside door right insert safety bumpers into wall brackets as shown



**DO NOT OPERATE DOORS WITHOUT SAFETY BUMPERS AND SEALS PROPERLY INSTALLED**

◆ Seal Page



**DO NOT OPERATE DOORS WITHOUT SAFETY BUMPERS AND SEALS PROPERLY INSTALLED**