

eurotech

LUXURY SHOWER DOORS

VITRA-100

CONTRACTORS SELECT FRAMELESS SINGLE SLIDING SHOWER DOOR



Eurotech Showers

23532 Commerce Center Dr.,

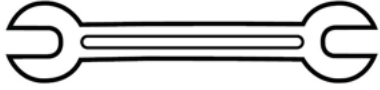
Building B

Laguna Hills, CA 92653

949-716-4099

eurotechshowers.com

SUPER EASY INSTALL



eurotech
LUXURY SHOWER DOORS

INSIDE DOOR LEFT/RIGHT INSTALLATION INSTRUCTIONS



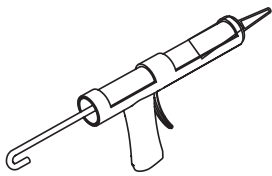
inside door left



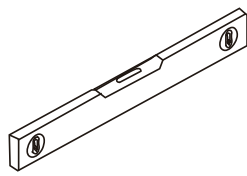
inside door right

FIT 56" TO 59-1/4" WIDE OPENINGS

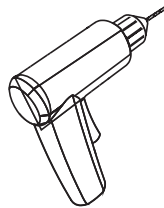
Tools Required



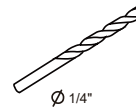
Silicone



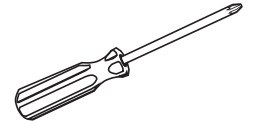
Level



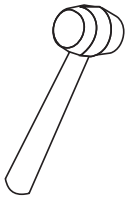
Drill



Masonry Bit



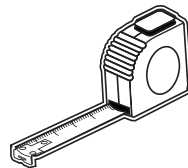
Screwdriver
(Phillips)



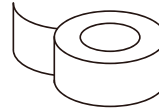
Mallet



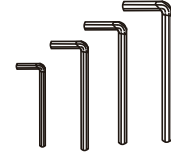
Pencil



Tape Measurer



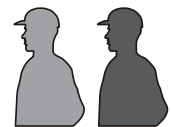
Painters
Tape



Allen Wrenches
(included)

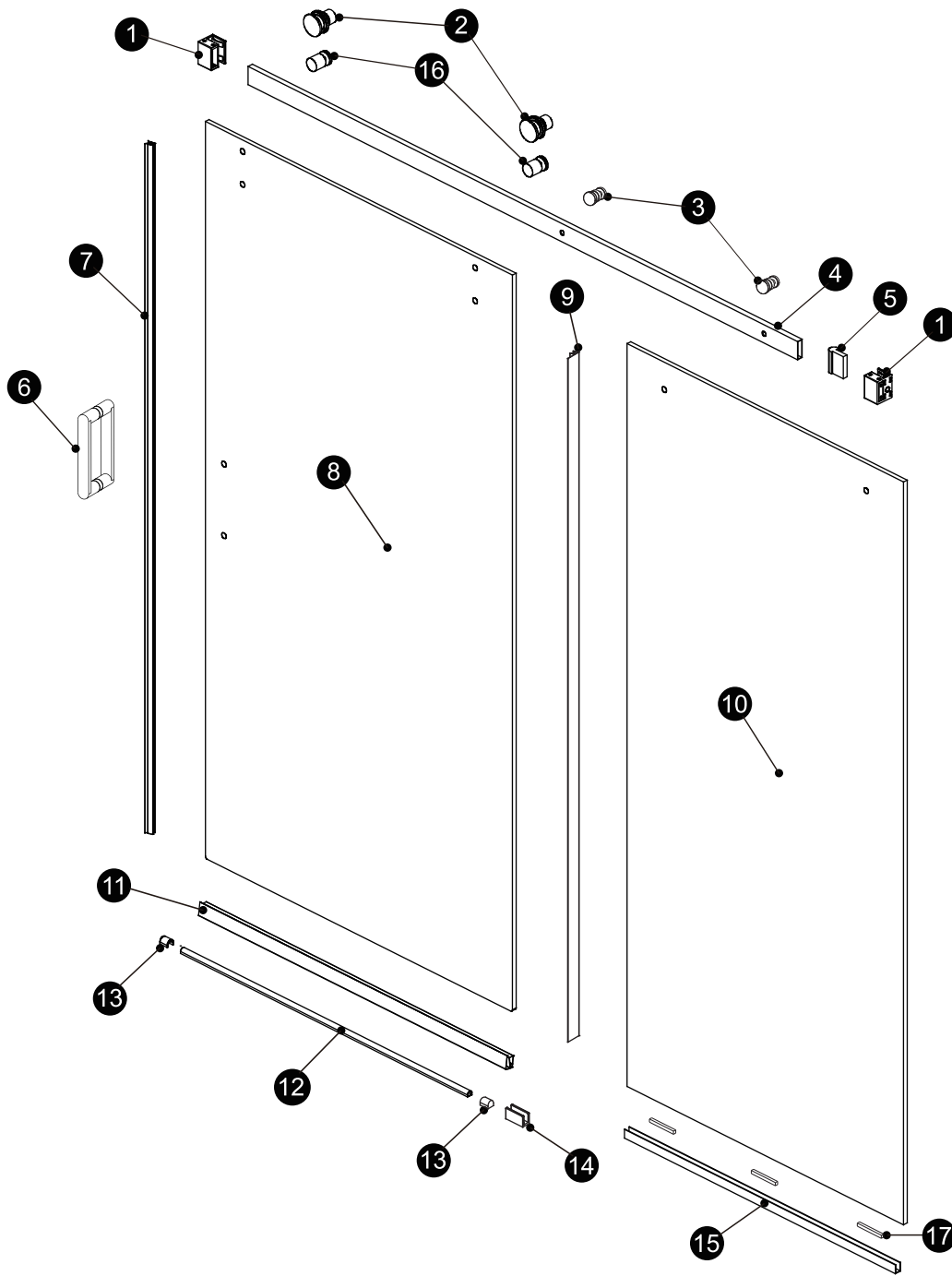


This product is heavy and may require two people to install.



Congratulations on your purchase of your Eurotech Shower door, making your shower dreams come to life.

◆ Assembly Drawing



PACKING LIST

PART #	DESCRIPTION	Q'TY	PART #	DESCRIPTION	Q'TY
1	Wall Bracket	2pcs	10	Fixed Panel	1pc
2	Roller	2pcs	11	Bottom Slip-on Seal	1pc
3	Fixed Panel Holders	2pcs	12	Aluminium Water Guard	1pc
4	Track	1pc	13	End Block	2pcs
5	Safety Bumper	1pc	14	Bottom Guide	1pc
6	Handle	1pc	15	Aluminium Bottom U Channel	1pc
7	V Seal	1pc	16	Anti-Lift Pins	2pcs
8	Door Panel	1pc	17	Cushions	3pcs
9	F Seal	1pc			

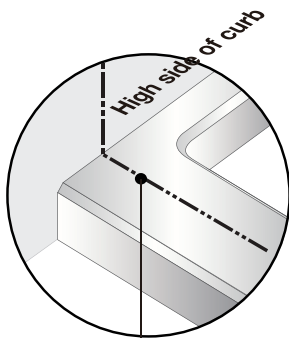
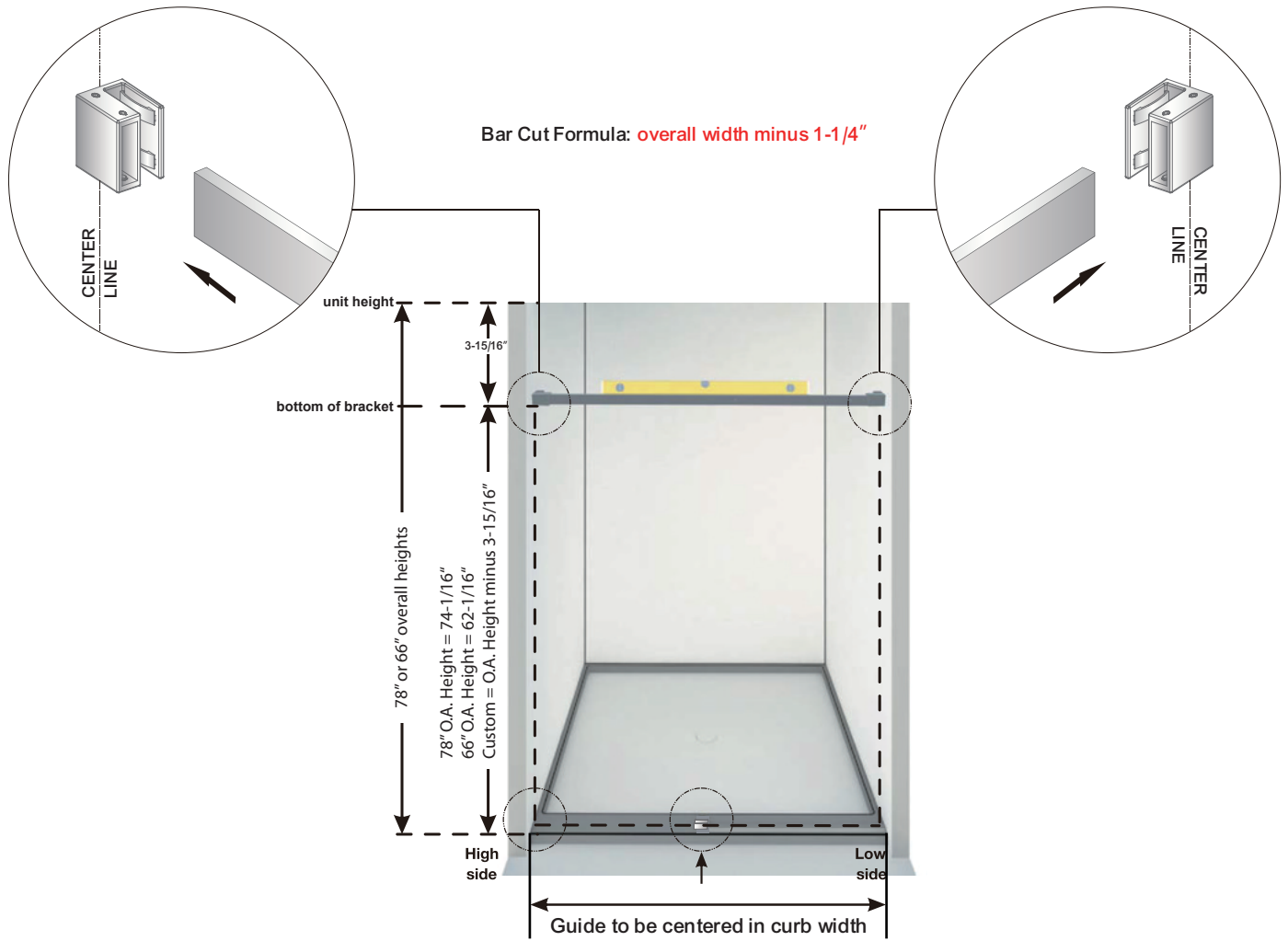


inside door left

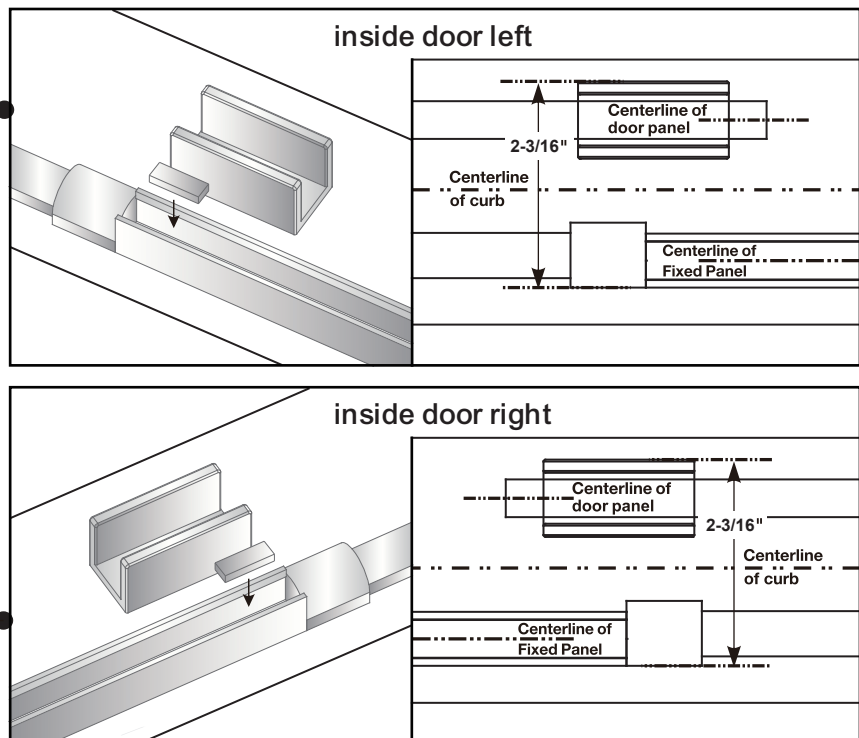


inside door right

Bar Installation: Mount wall bracket on high side of curb first. Level bar to mark opposite wall for second wall bracket.

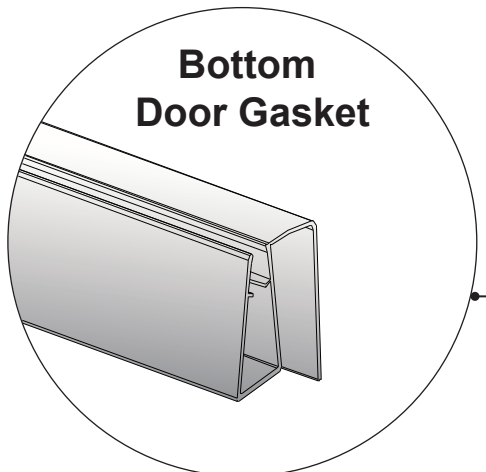
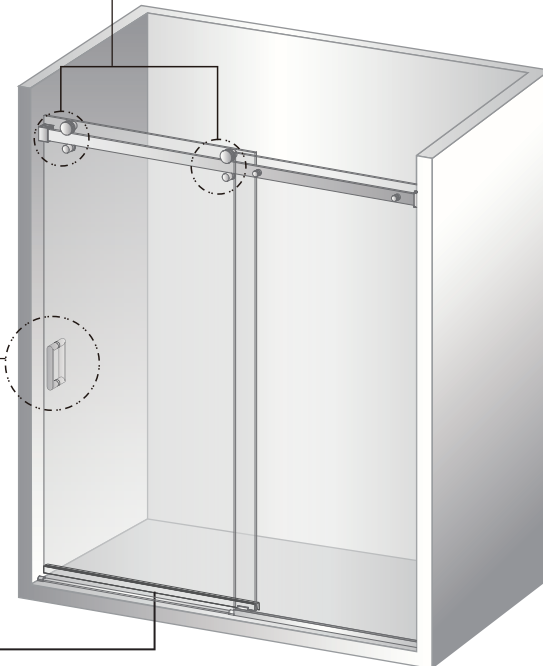
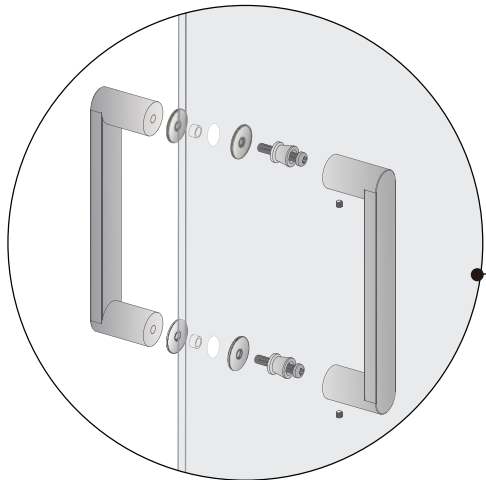
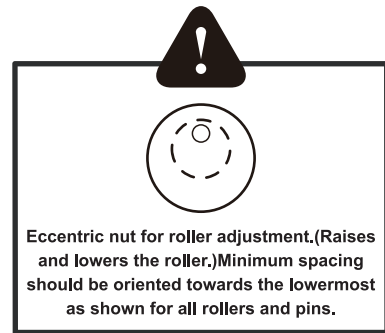
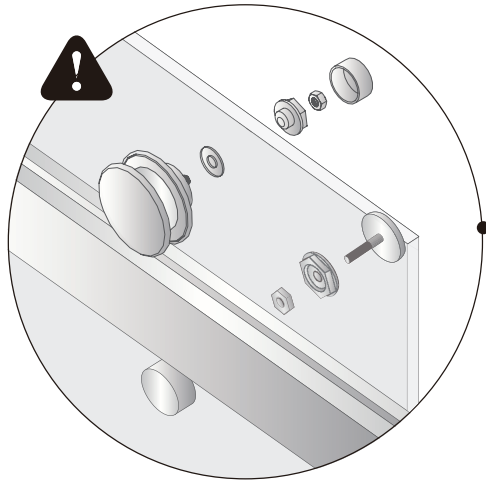
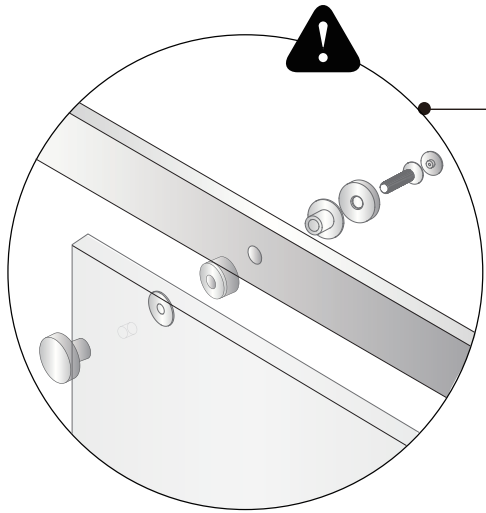


Centerline of curb



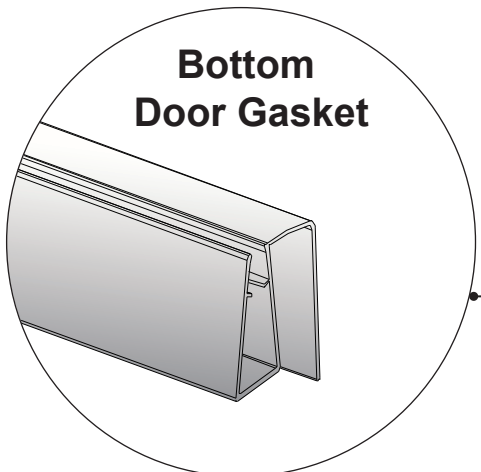
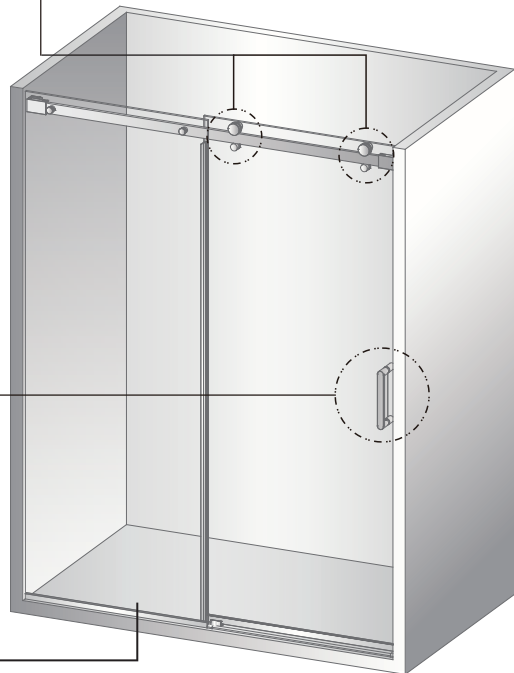
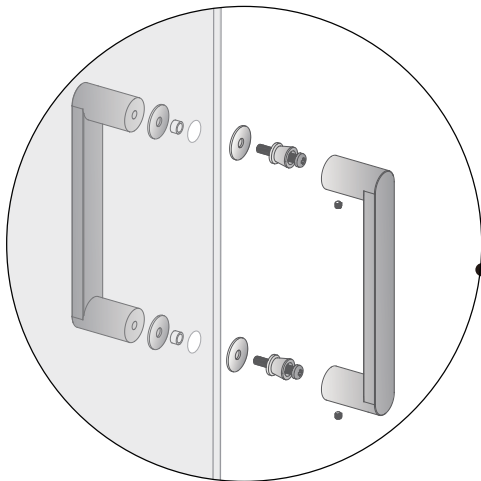
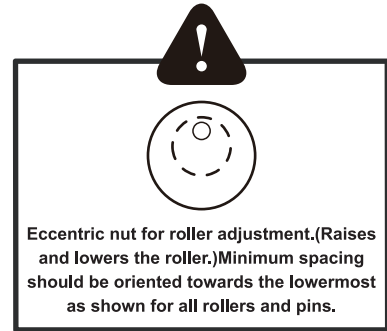
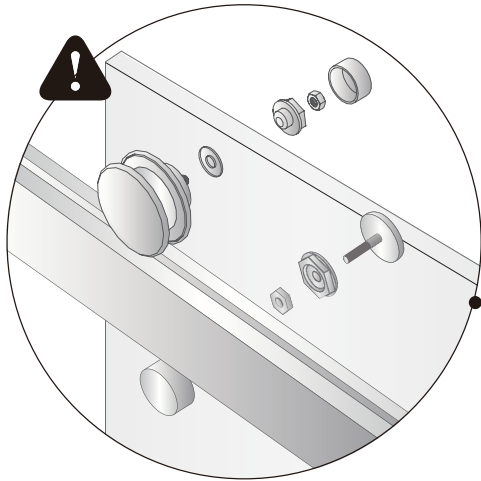
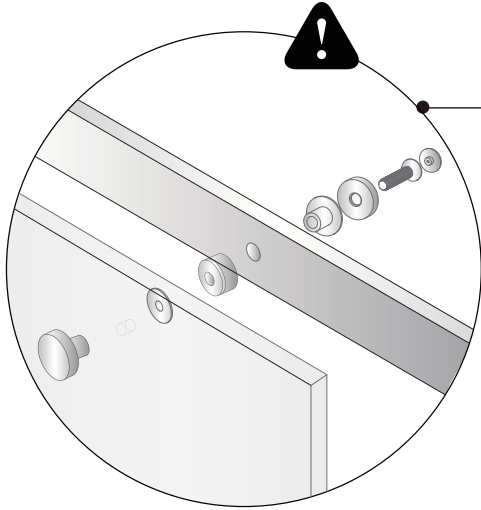
Aluminum Water Guard Cut Formula: **overall curb width minus 29-3/8"**

Inside door left



note: install prior to hanging doors

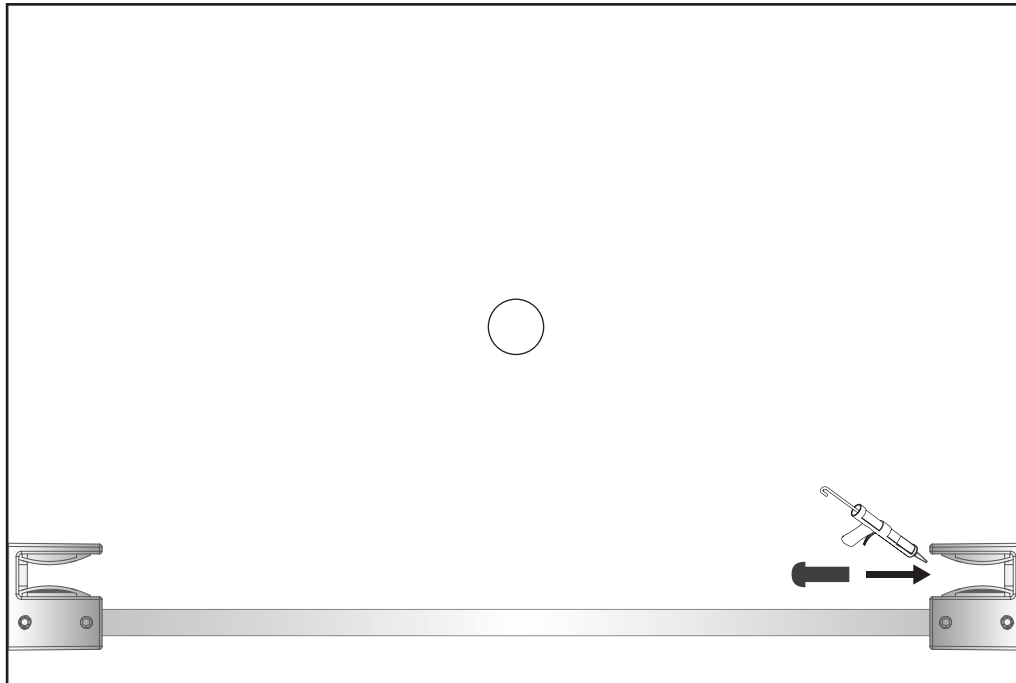
Inside door right



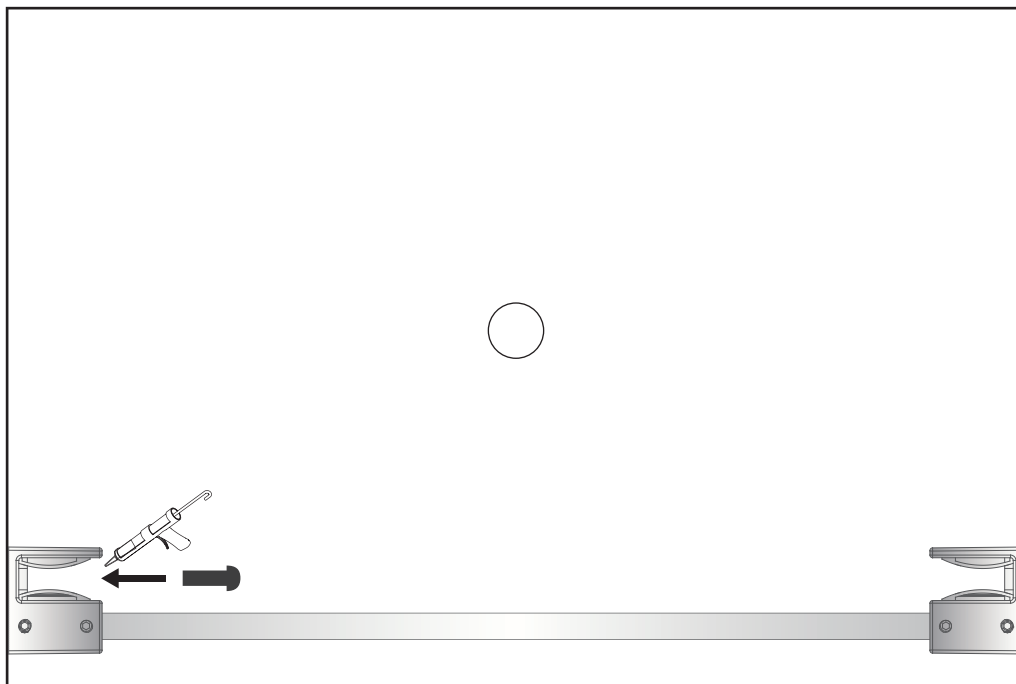
note: install prior to hanging doors

◆ Safety Bumper Page

For inside door left insert safety bumpers into wall brackets as shown

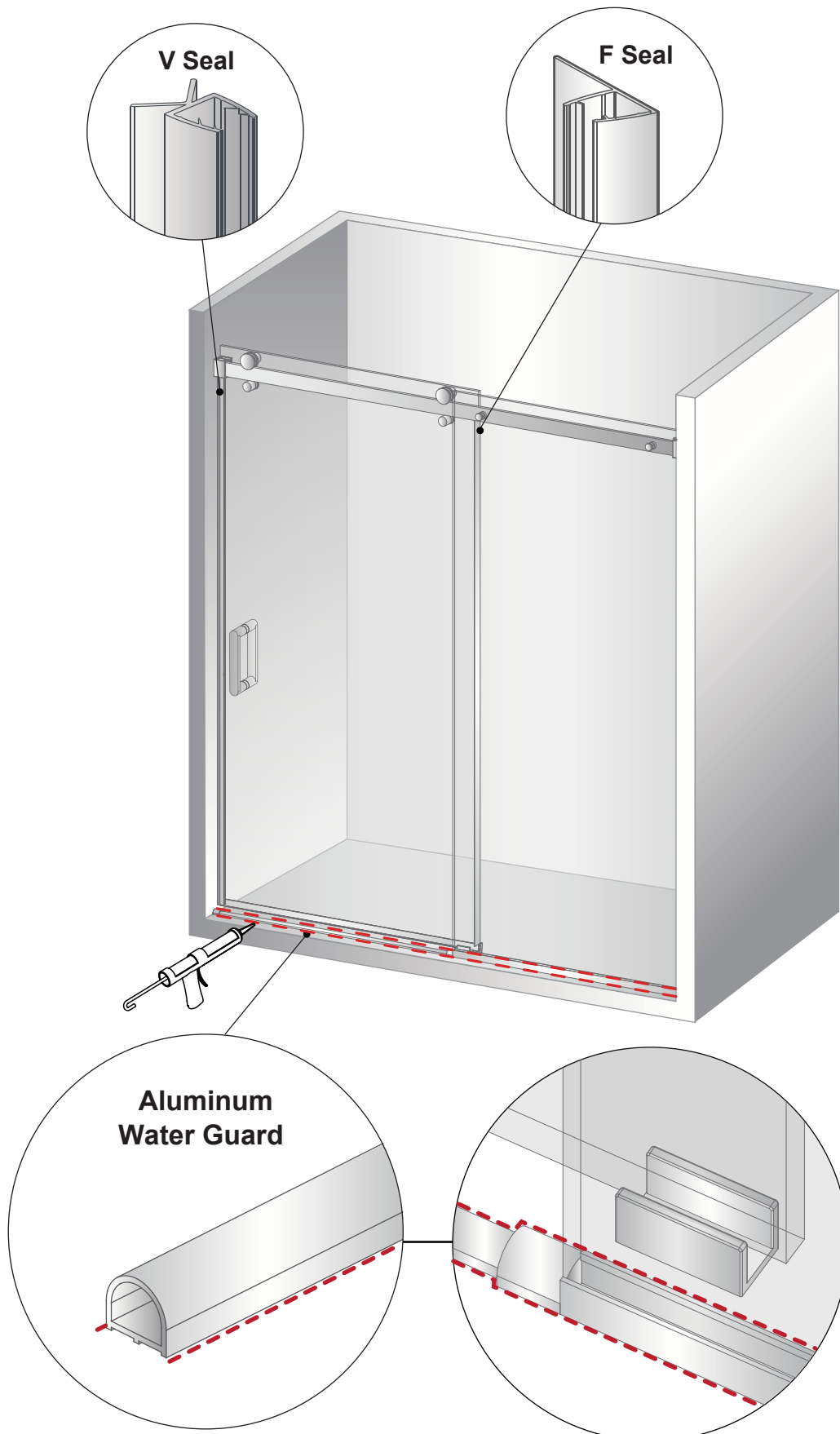


For inside door right insert safety bumpers into wall brackets as shown



DO NOT OPERATE DOORS WITHOUT SAFETY BUMPERS AND SEALS PROPERLY INSTALLED

◆ Seal Page



DO NOT OPERATE DOORS WITHOUT SAFETY BUMPERS AND SEALS PROPERLY INSTALLED