

# eurotech

LUXURY SHOWER DOORS

## VITRA-200

CONTRACTORS SELECT FRAMELESS DUAL SLIDING SHOWER DOOR



### **Eurotech Showers**

23532 Commerce Center Dr.,  
Building B  
Laguna Hills, CA 92653  
949-716-4099  
[eurotechshowers.com](http://eurotechshowers.com)

## FEATURES

- Anodized aluminum top track
- (4) 45mm dual sided rollers
- (4) 28mm dual sided anti-jump pins
- Up to 3/8" out of plumb adjustability
- 2 configurations
- Door grippers incorporated into wall brackets
- (1) 24" flat style towel bar with knob on backside & (1) back to back knob
- Dual water diverter sets (aluminum and polycarbonate)
- Standard 3/8" (10mm) clear tempered glass
- Option for Enduroshield treatment to reduce cleaning time by up to 90%



## FINISHES



Chrome

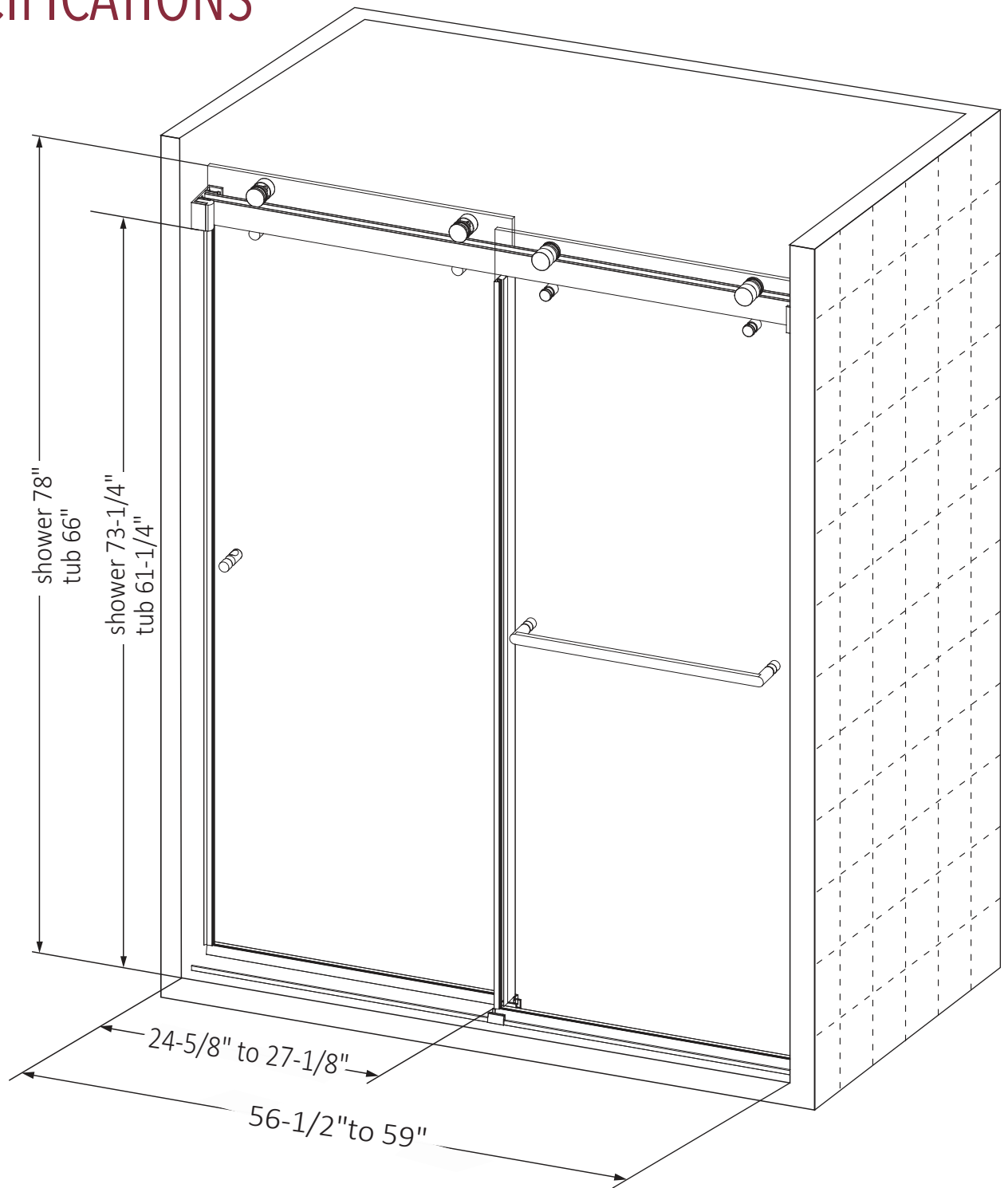


Matte Black



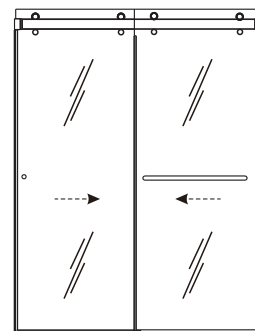
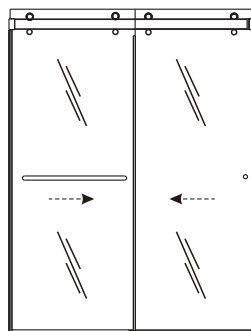
Brushed Nickel

# SPECIFICATIONS

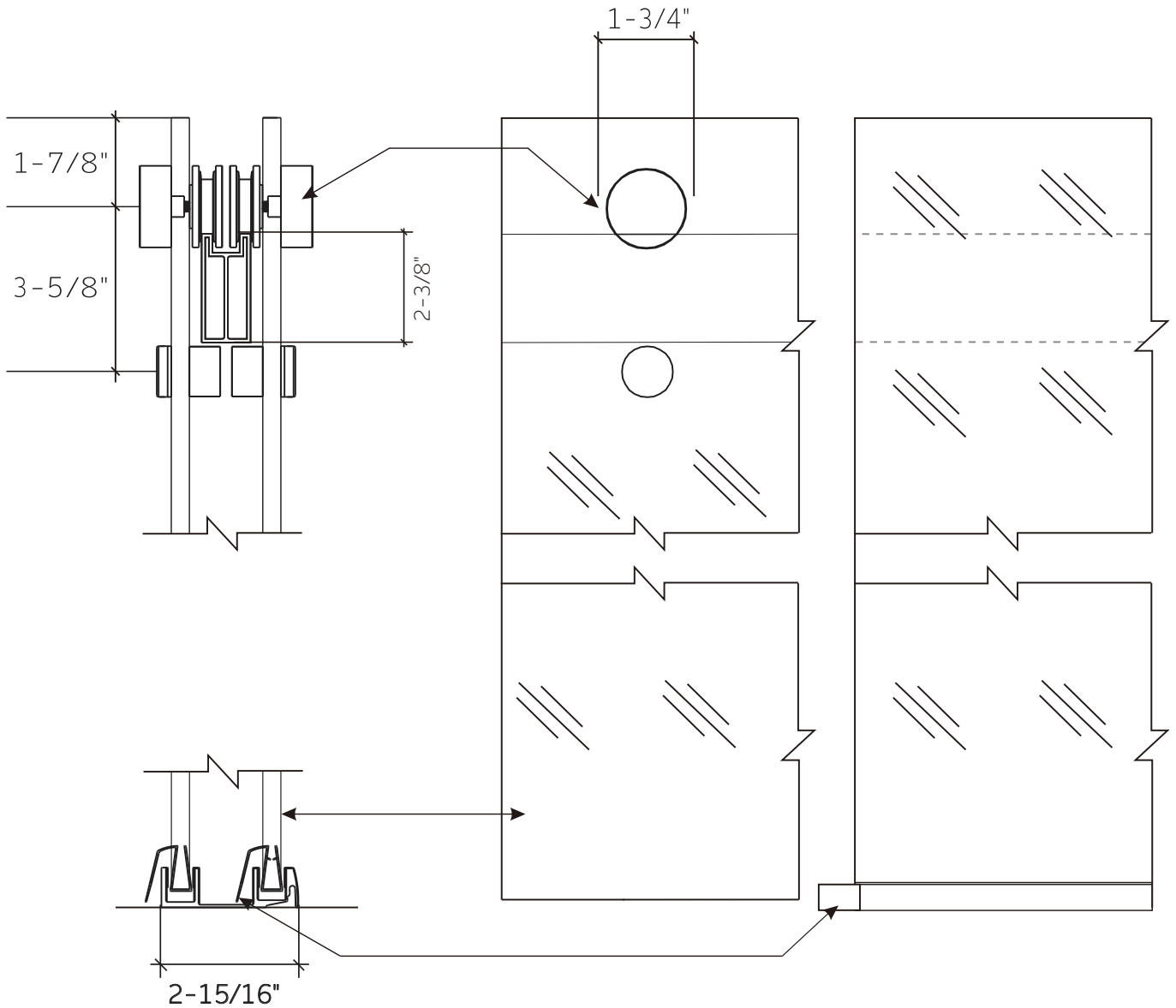


## CONFIGURATIONS

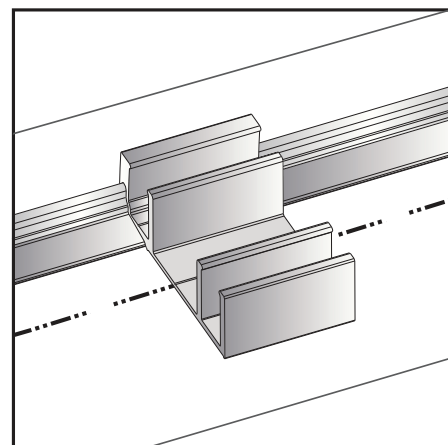
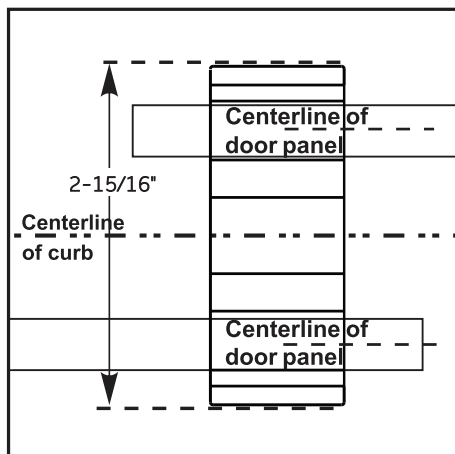
exterior or interior door capability



# SPECIFICATIONS



## FOOTPRINT USING ALUMINUM WATER GUARD



# PARTS LIST

- |                   |                          |
|-------------------|--------------------------|
| 1) wall bracket   | 8) door panel            |
| 2) safety bumper  | 9) bottom slip-on seal   |
| 3) track          | 10) aluminum water guard |
| 4) roller         | 11) bottom guide         |
| 5) anti-lift pins | 12) knob                 |
| 6) V-seal         | 13) F-seal               |
| 7) towel bar      |                          |

