

eurotech

LUXURY SHOWER DOORS

VITRA-100

CONTRACTORS SELECT FRAMELESS DUAL SLIDING SHOWER DOOR



Eurotech Showers

23532 Commerce Center Dr.,
Building B
Laguna Hills, CA 92653
949-716-4099
eurotechshowers.com

FEATURES

- 304 Stainless Steel Hardware
- (2) 45mm single sided rollers
- (2) 28mm dual sided anti-jump pins
- Up to 3/8" out of plumb adjustability
- 4 configurations
- Door grippers incorporated into wall brackets
- 8" square handle with knob on backside
- Dual water diverter sets (aluminum and polycarbonate)
- Standard 3/8" (10mm) clear tempered glass
- Option for Enduroshield treatment to reduce cleaning time by up to 90%



FINISHES



Polished Stainless

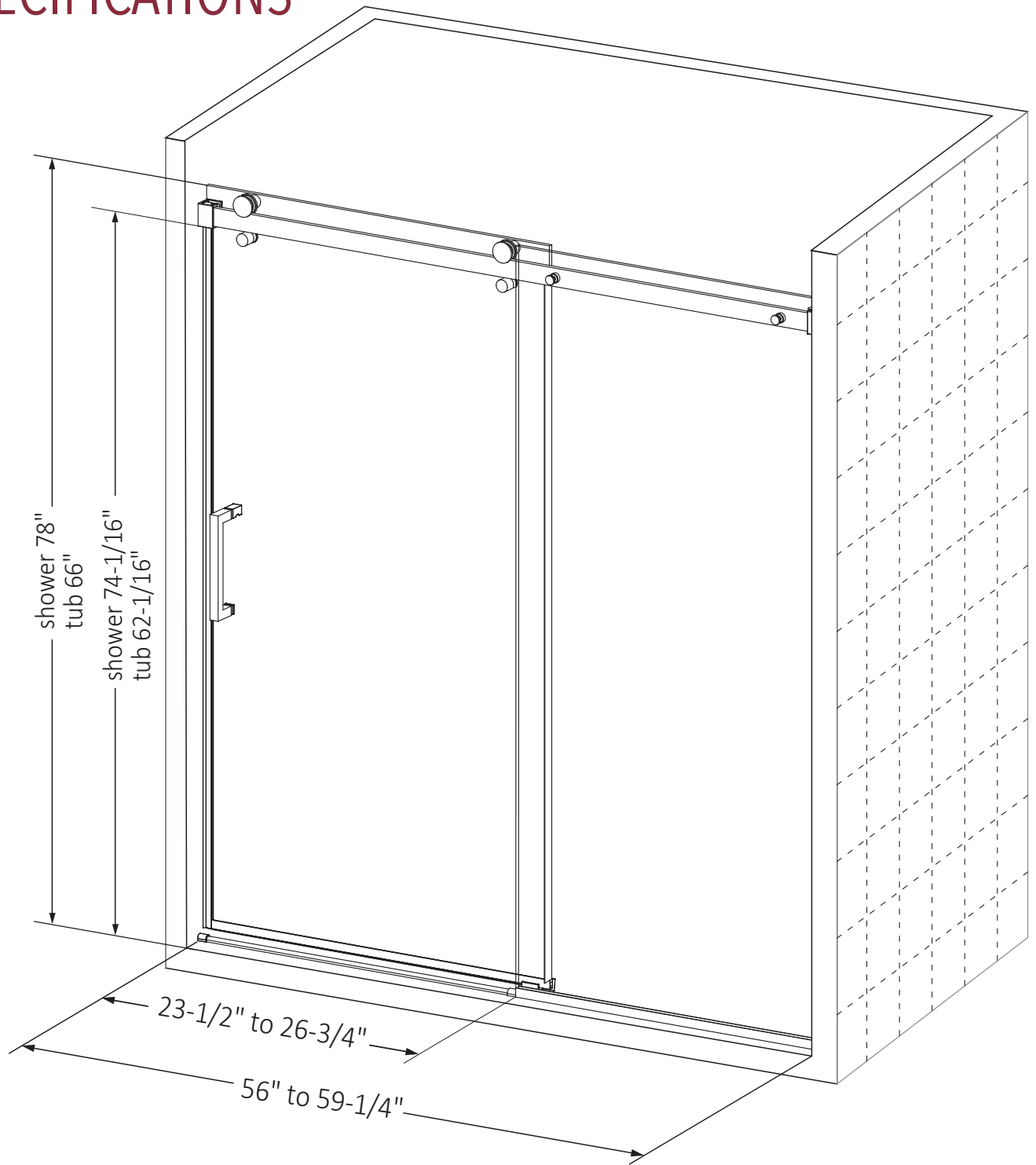


Matte Black



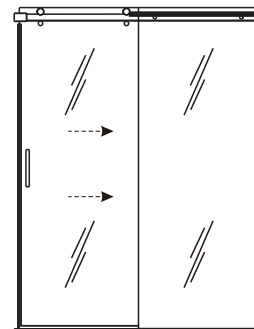
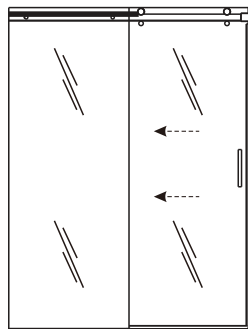
Brushed Stainless

SPECIFICATIONS

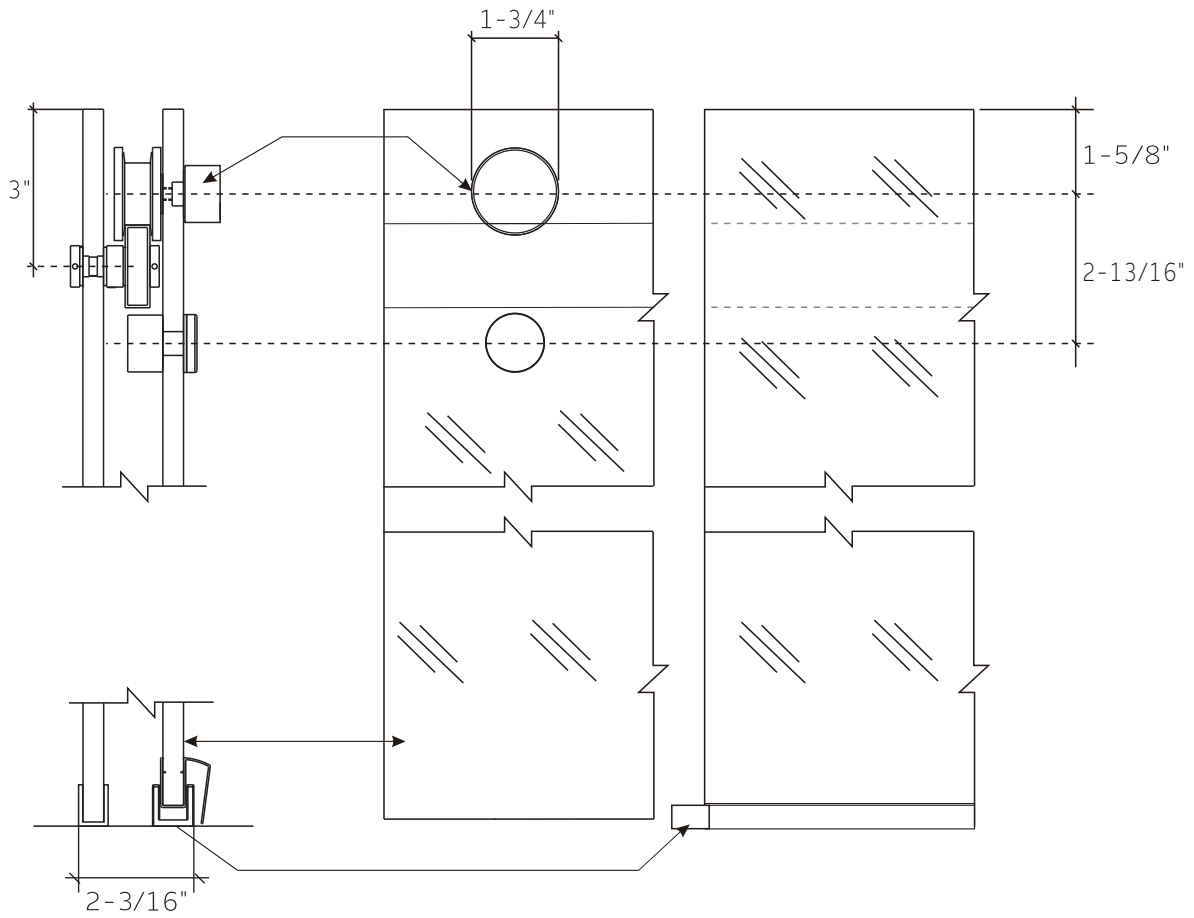


CONFIGURATIONS

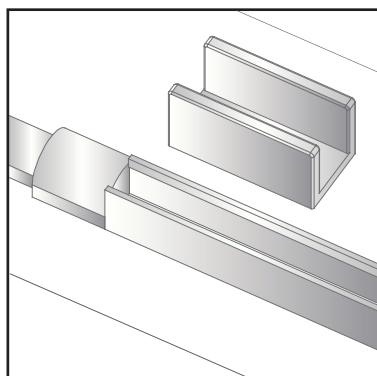
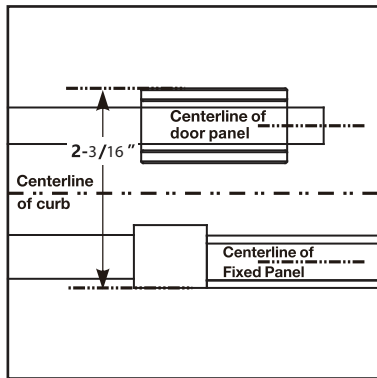
exterior or interior door capability



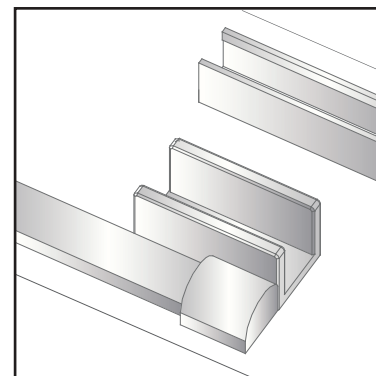
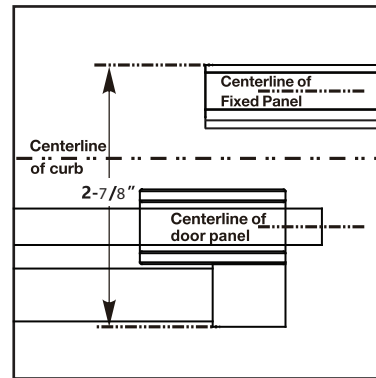
SPECIFICATIONS



**FOOTPRINT FOR DOOR ON INSIDE
USING ALUMINUM WATER GUARD**



**FOOTPRINT FOR DOOR ON OUTSIDE
USING ALUMINUM WATER GUARD**



PARTS LIST

- | | |
|-----------------------|--------------------------|
| 1) wall bracket | 10) fixed panel |
| 2) roller | 11) bottom slip-on seal |
| 3) fixed panel holder | 12) aluminum water guard |
| 4) track | 13) end block |
| 5) safety bumper | 14) bottom guide |
| 6) handle | 15) aluminum u-channel |
| 7) V-seal | 16) anti-lift pins |
| 8) door panel | |
| 9) F-seal | |

